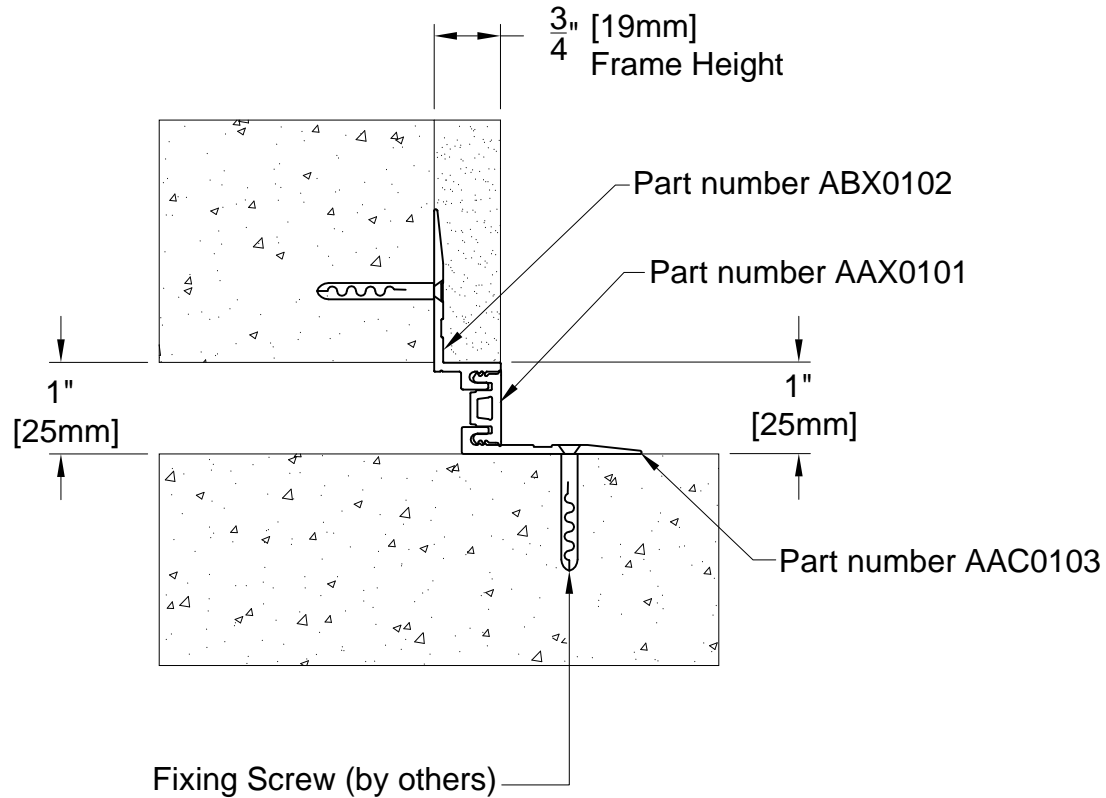


ABC01 SYSTEM



TECHNICAL DATA	IMPERIAL (inc)	METRIC (mm)
Joint Width	1"	25
Movement ± (Horizontal)	1/4"	6
Movement ± (Vertical)	1/4"	6

Date: Jan., 2012 Scale: NTS

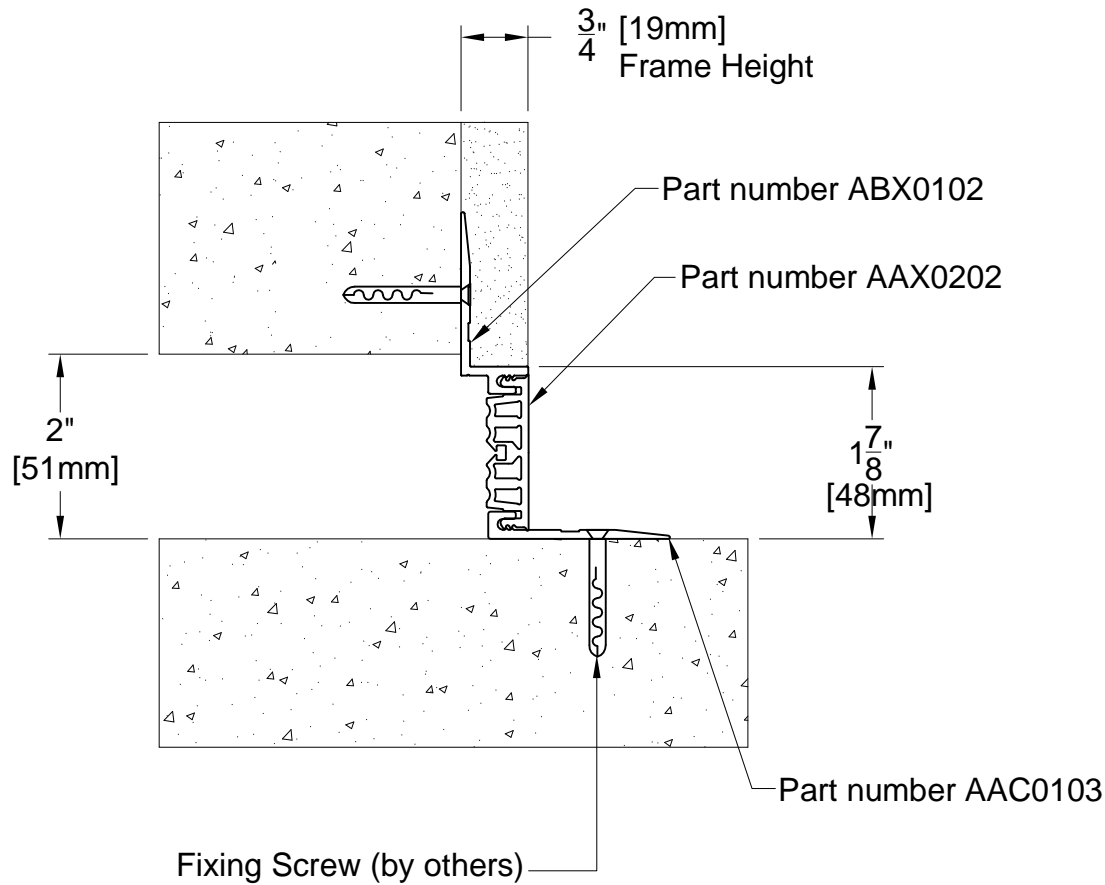
Rev: Drawn by :

APPLICATION:
INTERNAL EXPANSION JOINT COVER FOR
WALL CORNER / WALL TO CEILING



PROSPEC SPECIALTIES INC.
3601 HIGHWAY 7, SUITE 400
MARKHAM ON L3R 0M3, CANADA.
TEL: (888) - 749 - 8456,
FAX: (888) - 749 - 8455
Email: info@prospecspecialties.com
Web: prospectspecialties.com

ABC02 SYSTEM



TECHNICAL DATA	IMPERIAL (inc)	METRIC (mm)
Joint Width	2"	51
Movement ± (Horizontal)	1/2"	13
Movement ± (Vertical)	1/2"	13

Date: Jan., 2012 Scale: NTS

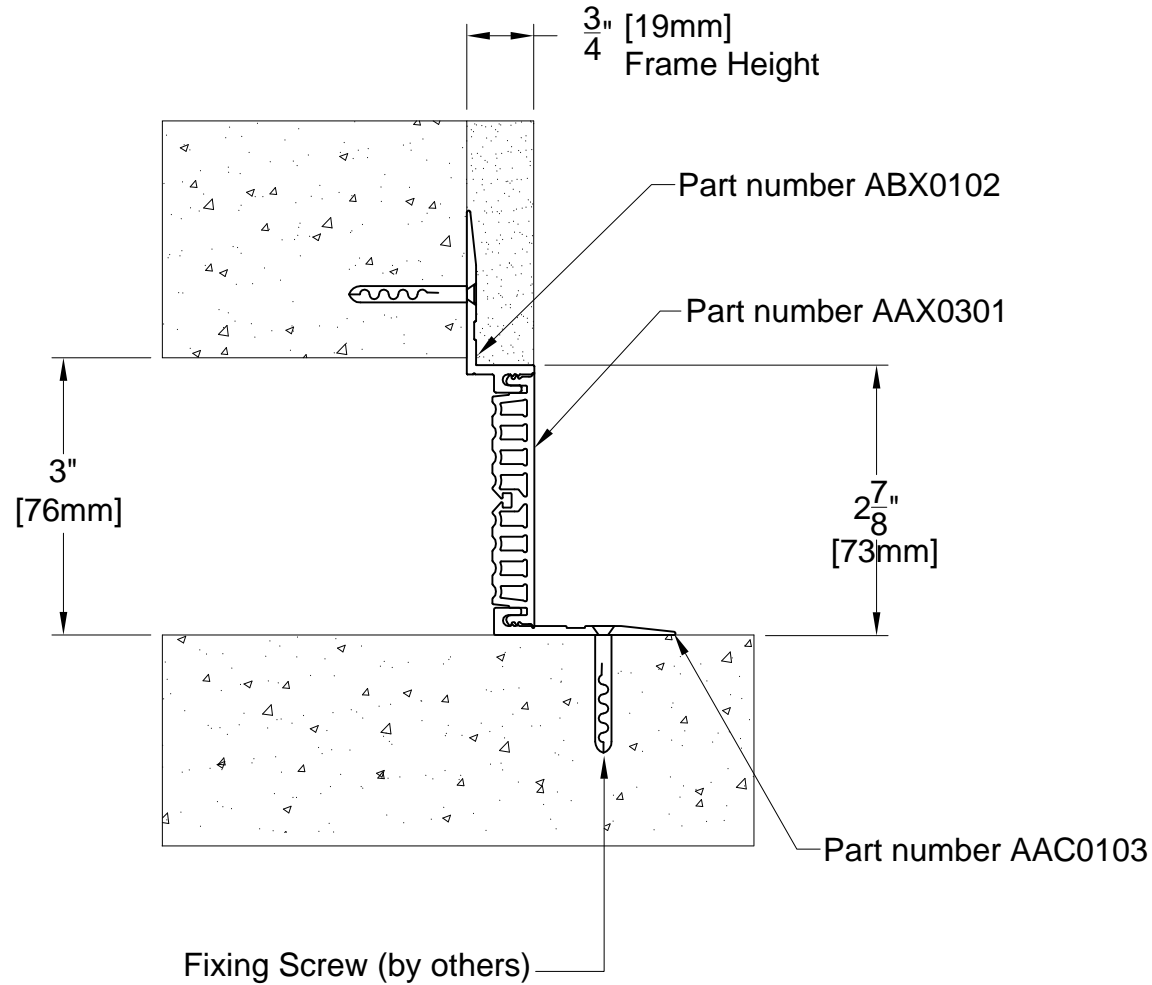
Rev: Drawn by :

APPLICATION:
INTERNAL EXPANSION JOINT COVER FOR
WALL CORNER / WALL TO CEILING



PROSPEC SPECIALTIES INC.
3601 HIGHWAY 7, SUITE 400
MARKHAM ON L3R 0M3, CANADA.
TEL: (888) - 749 - 8456,
FAX: (888) - 749 - 8455
Email: info@prospecspecialties.com
Web: prospectspecialties.com

ABC03 SYSTEM



TECHNICAL DATA	IMPERIAL (inc)	METRIC (mm)
Joint Width	3"	76
Movement ± (Horizontal)	3/4"	19
Movement ± (Vertical)	3/4"	19

Date: Jan., 2012 Scale: NTS
 Rev: Drawn by :

APPLICATION:
 INTERNAL EXPANSION JOINT COVER FOR
 WALL CORNER / WALL TO CEILING



PROSPEC SPECIALTIES INC.
 3601 HIGHWAY 7, SUITE 400
 MARKHAM ON L3R 0M3, CANADA.
 TEL: (888) - 749 - 8456,
 FAX: (888) - 749 - 8455
 Email: info@prospecspecialties.com
 Web: prospectspecialties.com