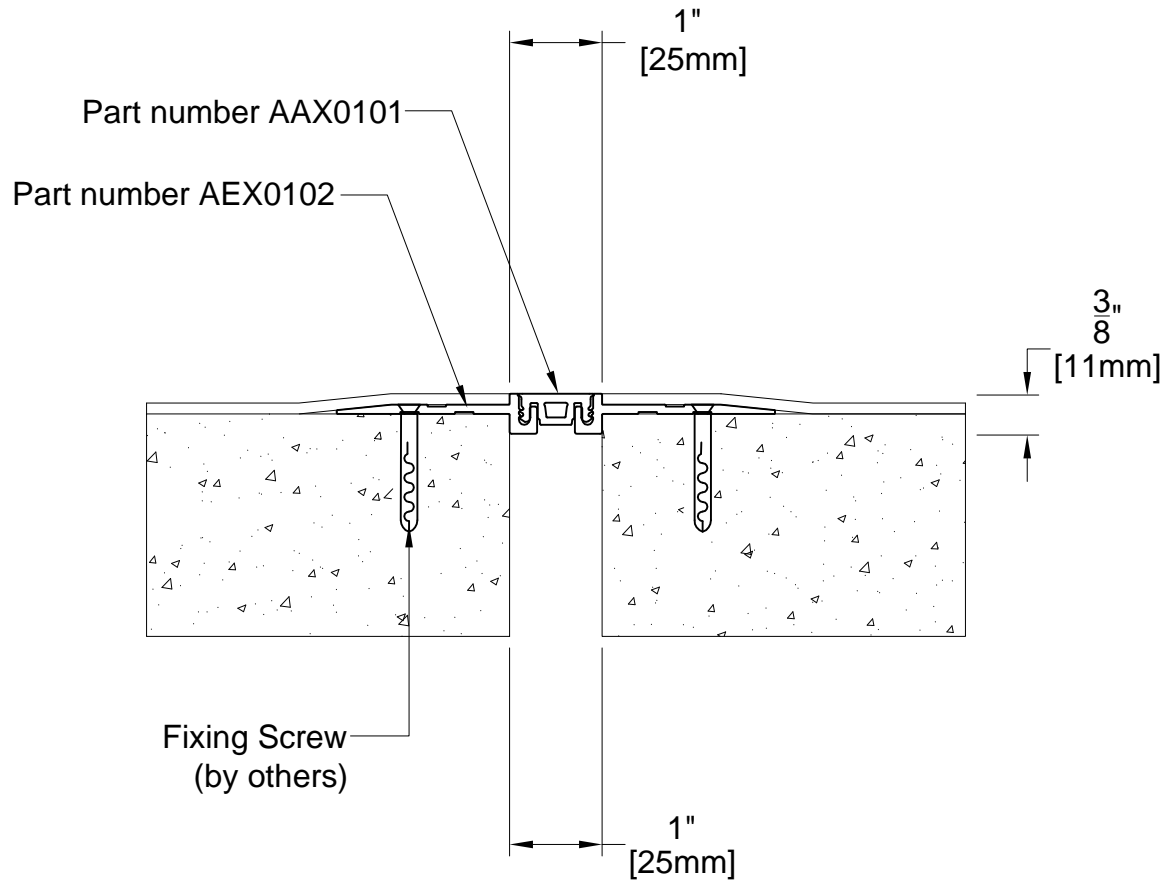


AES01 SYSTEM



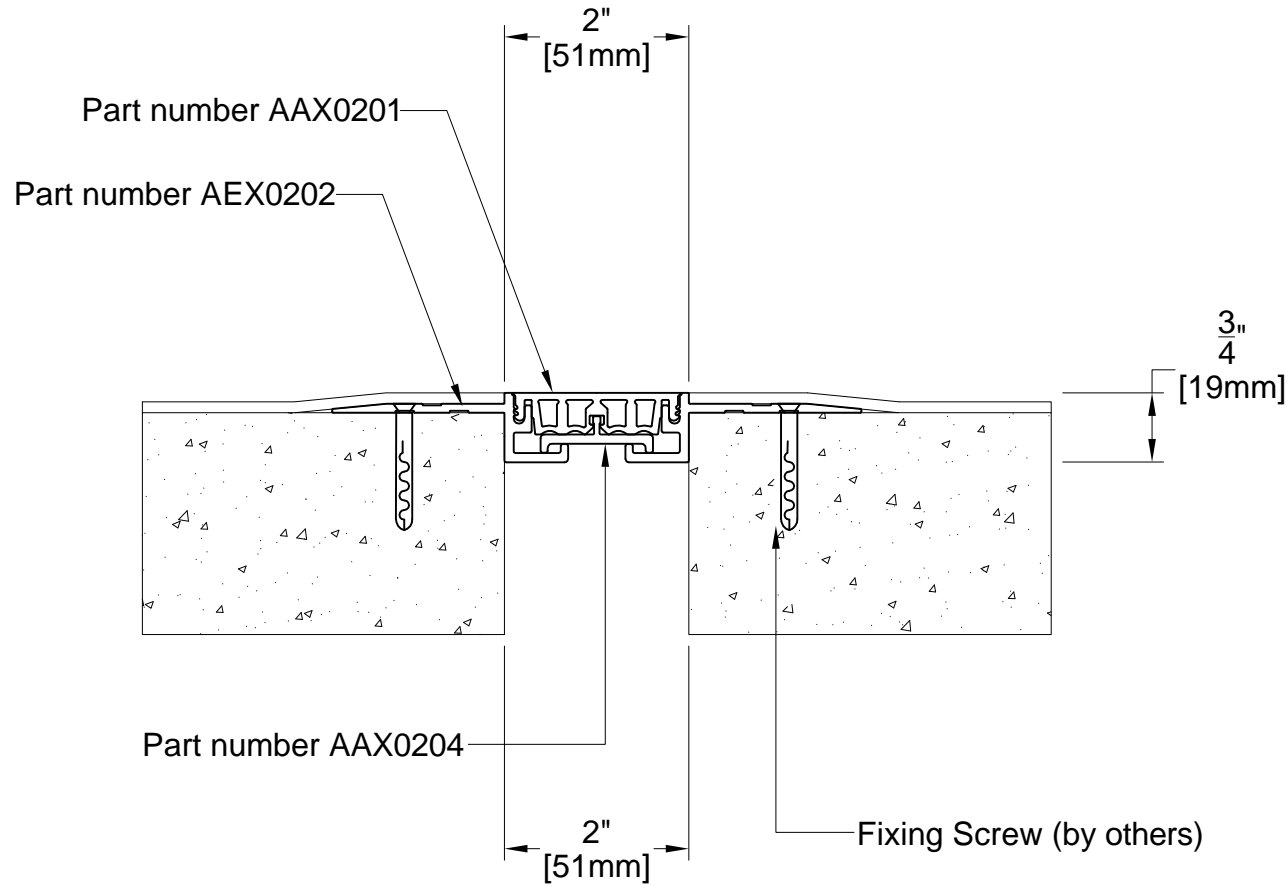
TECHNICAL DATA	IMPERIAL (inc)	METRIC (mm)
Joint Width	1"	25
Movement ± (Horizontal)	1/4"	6
Movement ± (Vertical)	1/4"	6
Load	3 (Tons)	
Date: Jan., 2012	Scale: NTS	
Rev:	Drawn by :	

APPLICATION: INSTALLED IN FLOOR TO FLOOR JUNCTION



PROSPEC SPECIALTIES INC.
 3601 HIGHWAY 7, SUITE 400
 MARKHAM ON L3R 0M3, CANADA.
 TEL: (888) - 749 - 8456,
 FAX: (888) - 749 - 8455
 Email: info@prospecspecialties.com
 Web: prospectspecialties.com

AES02 SYSTEM



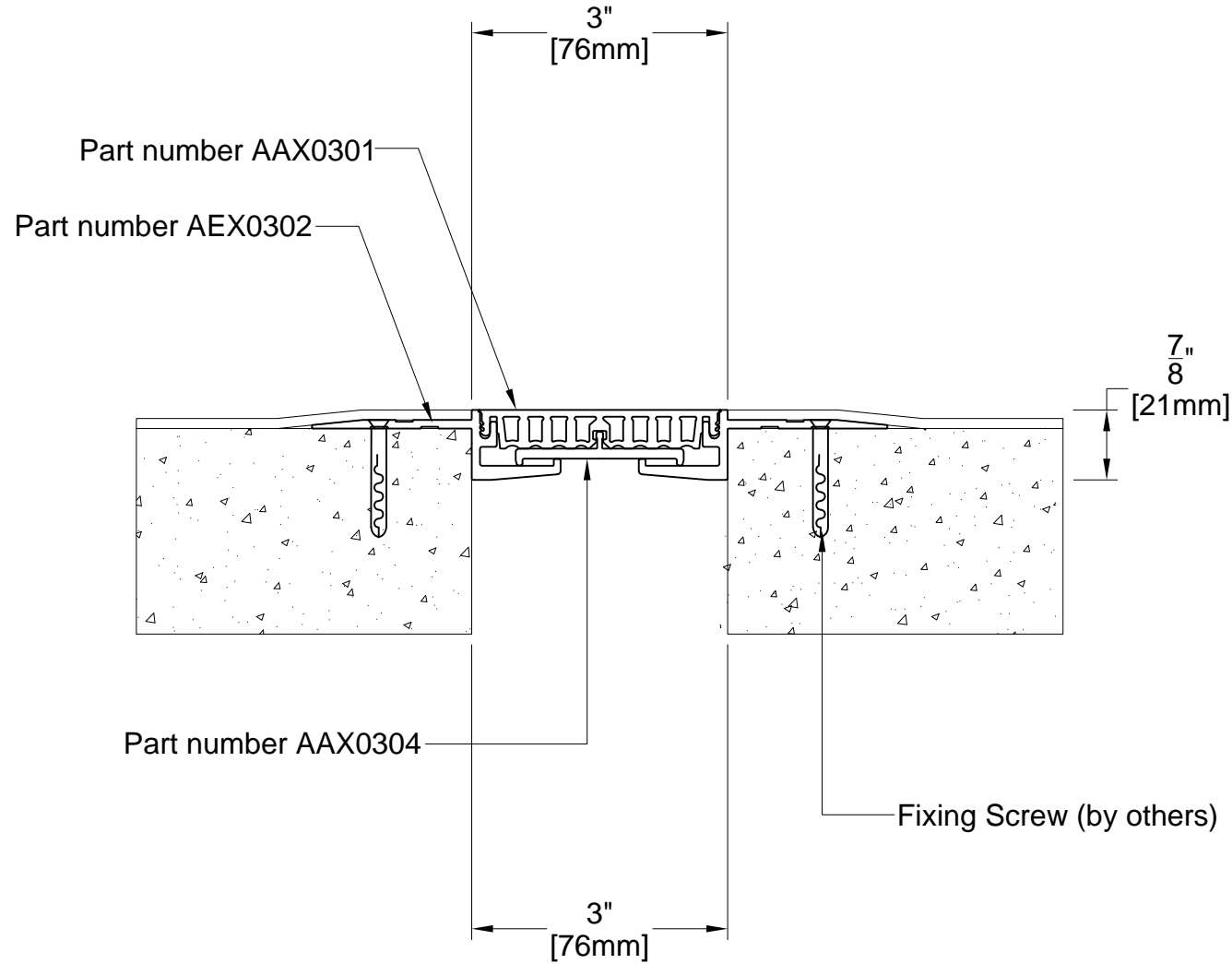
TECHNICAL DATA	IMPERIAL (inc)	METRIC (mm)
Joint Width	2"	51
Movement ± (Horizontal)	1/2"	13
Movement ± (Vertical)	1/2"	13
Load	2 (Tons)	
Date: Jan., 2012	Scale: NTS	
Rev:	Drawn by :	

APPLICATION:
 RETRO FITTED INTERNAL EXPANSION JOINT
 COVER FOR FLOOR TO FLOOR SUITABLE
 FOR INSTALLATION UNDER PVC FLOORING



PROSPEC SPECIALTIES INC.
 3601 HIGHWAY 7, SUITE 400
 MARKHAM ON L3R 0M3, CANADA.
 TEL: (888) - 749 - 8456,
 FAX: (888) - 749 - 8455
 Email: info@prospecspecialties.com
 Web: prospectspecialties.com

AES03 SYSTEM



TECHNICAL DATA	IMPERIAL (inc)	METRIC (mm)
Joint Width	3"	76
Movement ± (Horizontal)	3/4"	19
Movement ± (Vertical)	3/4"	19
Load	2 (Tons)	
Date: Jan., 2012	Scale: NTS	
Rev:	Drawn by :	

APPLICATION:
 RETRO FITTED INTERNAL EXPANSION JOINT COVER FOR FLOOR TO FLOOR SUITABLE FOR INSTALLATION UNDER PVC FLOORING



PROSPEC SPECIALTIES INC.
 3601 HIGHWAY 7, SUITE 400
 MARKHAM ON L3R 0M3, CANADA.
 TEL: (888) - 749 - 8456,
 FAX: (888) - 749 - 8455
 Email: info@prospecspecialties.com
 Web: prospecspecialties.com