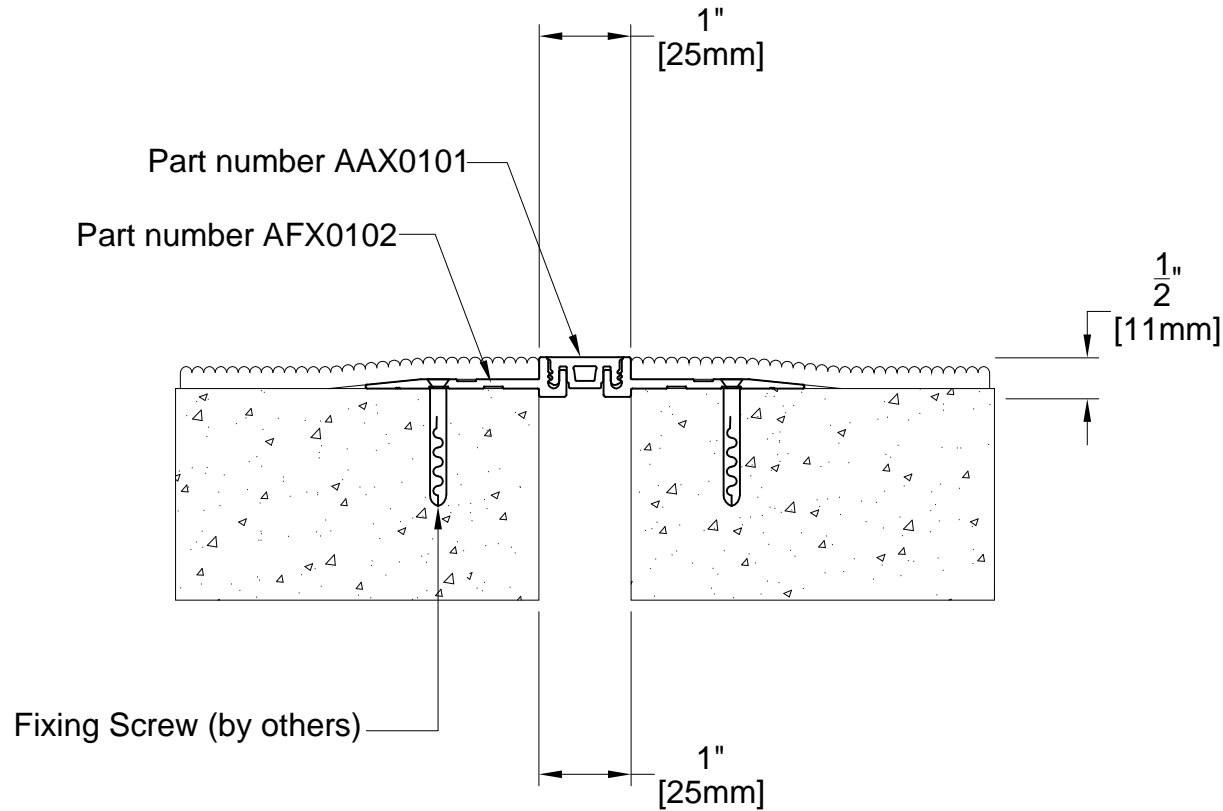


# AFS01 SYSTEM



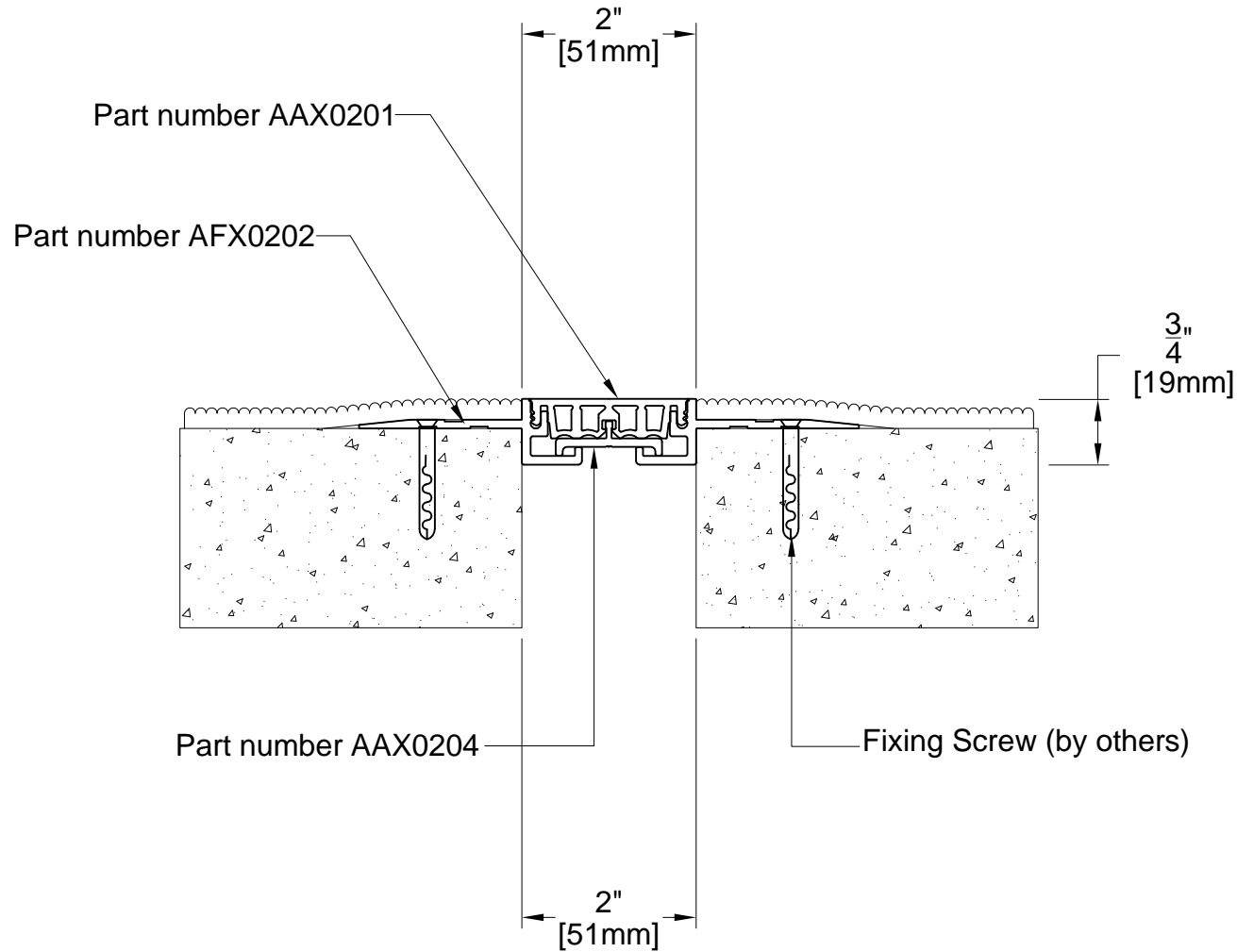
TECHNICAL DATA	IMPERIAL (inc)	METRIC (mm)
Joint Width	1"	25
Movement ± (Horizontal)	1/4"	6
Movement ± (Vertical)	1/4"	6
Load	3 (Tons)	
Date: Jan., 2012	Scale: NTS	
Rev:	Drawn by :	

**APPLICATION:**  
 RETRO FITTED INTERNAL EXPANSION JOINT  
 COVER FOR FLOOR TO FLOOR SUITABLE  
 FOR INSTALLATION UNDER CARPET



**PROSPEC SPECIALTIES INC.**  
 3601 HIGHWAY 7, SUITE 400  
 MARKHAM ON L3R 0M3, CANADA.  
 TEL: (888) - 749 - 8456,  
 FAX: (888) - 749 - 8455  
 Email: info@prospecspecialties.com  
 Web: prospectspecialties.com

# AFS02 SYSTEM



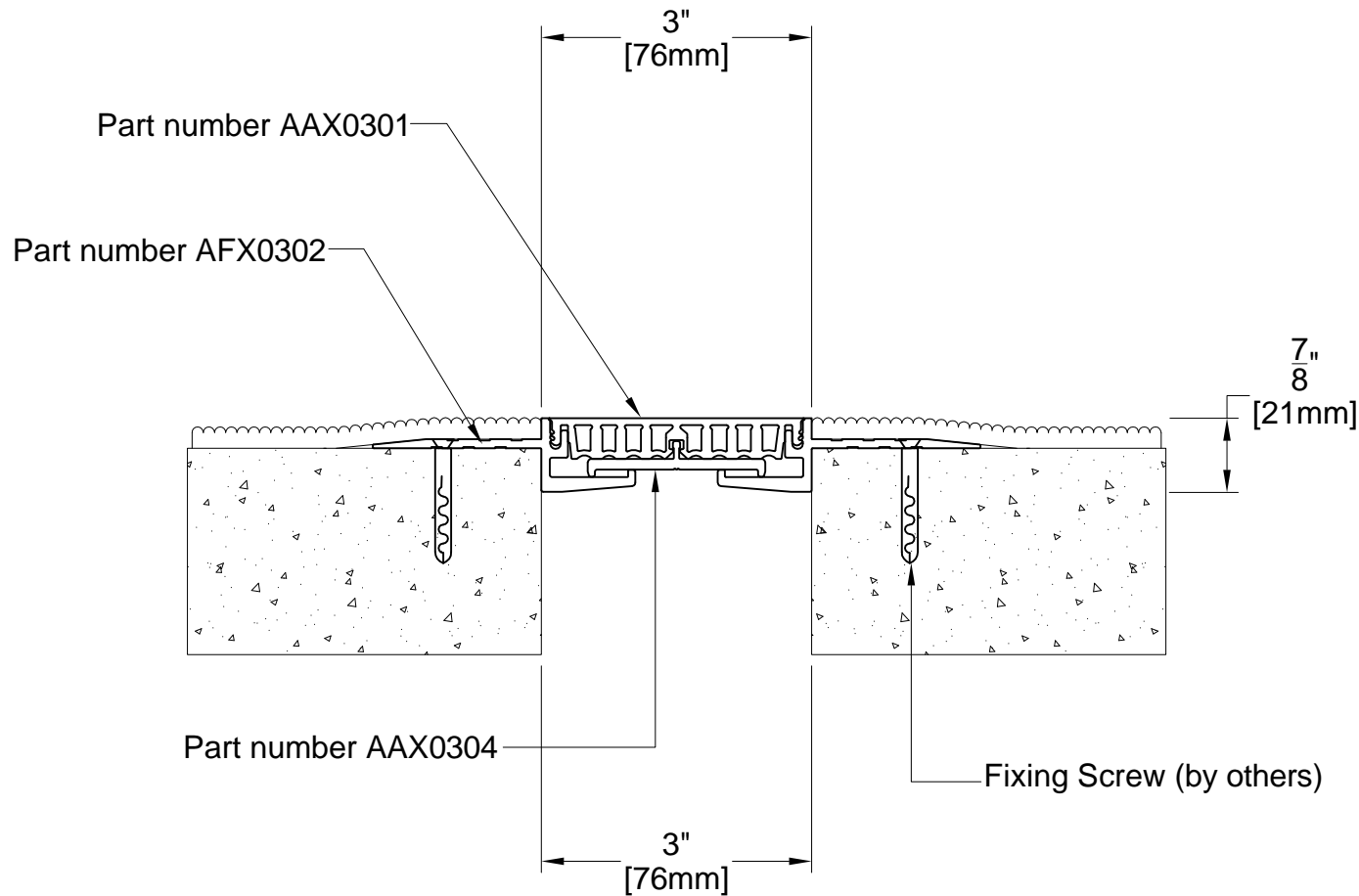
TECHNICAL DATA	IMPERIAL (inc)	METRIC (mm)
Joint Width	2"	51
Movement ± (Horizontal)	1/2"	13
Movement ± (Vertical)	1/2"	13
Load	2 (Tons)	
Date: Jan., 2012	Scale: NTS	
Rev:	Drawn by :	

**APPLICATION:**  
 RETRO FITTED INTERNAL EXPANSION JOINT COVER FOR FLOOR TO FLOOR SUITABLE FOR INSTALLATION UNDER CARPET



**PROSPEC SPECIALTIES INC.**  
 3601 HIGHWAY 7, SUITE 400  
 MARKHAM ON L3R 0M3, CANADA.  
 TEL: (888) - 749 - 8456,  
 FAX: (888) - 749 - 8455  
 Email: info@prospecspecialties.com  
 Web: prospectspecialties.com

# AFS03 SYSTEM



TECHNICAL DATA	IMPERIAL (inc)	METRIC (mm)
Joint Width	3"	76
Movement ± (Horizontal)	3/4"	19
Movement ± (Vertical)	3/4"	19
Load	2 (Tons)	
Date: Jan., 2012	Scale: NTS	
Rev:	Drawn by :	

**APPLICATION:**  
 RETRO FITTED INTERNAL EXPANSION JOINT  
 COVER FOR FLOOR TO FLOOR SUITABLE  
 FOR INSTALLATION UNDER CARPET



**PROSPEC SPECIALTIES INC.**  
 3601 HIGHWAY 7, SUITE 400  
 MARKHAM ON L3R 0M3, CANADA.  
 TEL: (888) - 749 - 8456,  
 FAX: (888) - 749 - 8455  
 Email: info@prospecspecialties.com  
 Web: prospecspecialties.com