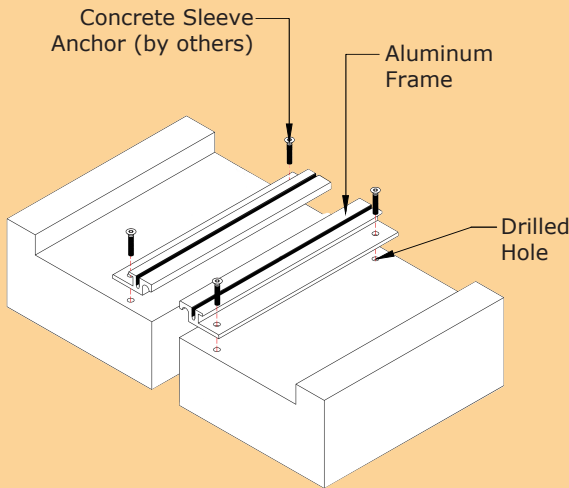


AO Series

Note: The structural gap and blockout dimensions has to be verified before beginning the installation. If the architectural joint system is fire rated, fire barrier has to be installed before the system. For specific system installation, refer to the fire barrier installation instructions.

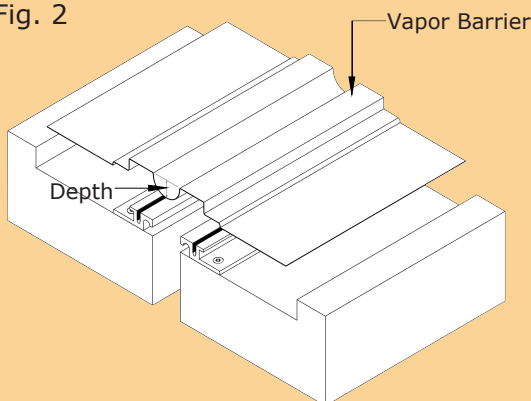
Fig. 1



1. Install the architectural joint system on a level surface within the blockout. This may require adding leveling compound on top of the substrate to provide a smooth mounting surface.

Figure 1

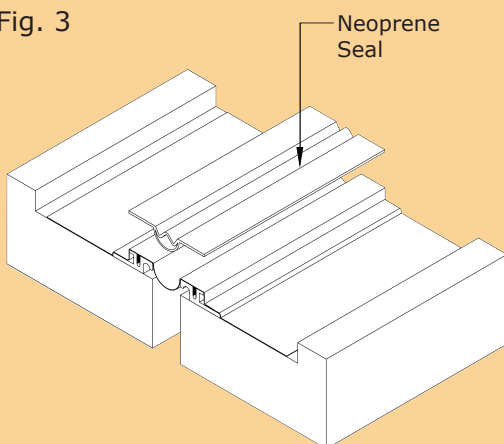
Fig. 2



2. Cut the aluminum components to the desired length.
3. Align both ends of the frames within the blockout, ensuring the frame bases do not extend over the structural gap.
4. Mark the pre-drilled hole locations on the substrate and remove from the blockout.
5. Drill holes in the blockout using a 5/16" concrete drill bit to a 2-1/2" depth.
6. Return the frame into position over the drilled hole locations and secure using 5/16" x 2-1/2" concrete sleeve anchor countersunk head.

Figure 2

Fig. 3



7. Lay the vapor barrier on top of the aluminum frames. Make sure to leave enough depth of the vapor barrier between the aluminum frames to accommodate the neoprene seal. Extend the width of the vapor barrier (both sides) to the blockout at least 200mm from gap.

Figure 3

8. Lay the neoprene seal on the top of the vapor barrier, make sure that it is properly aligned over the center of the gap.



AO Series

Fig. 4

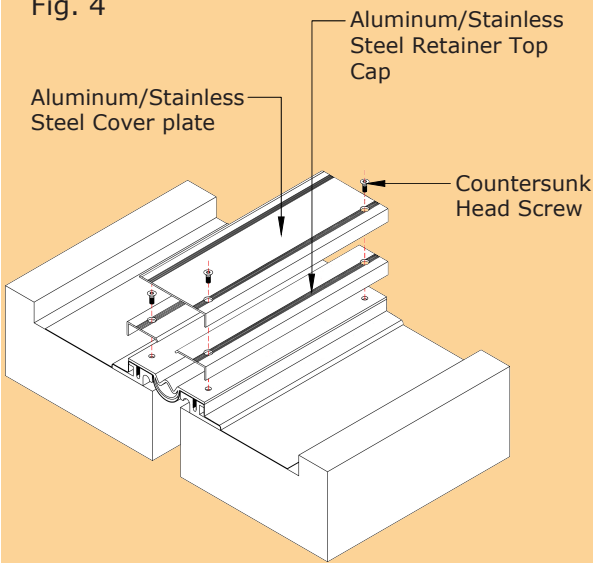


Figure 4

9. Position the Aluminum/Stainless Steel retainer top cap & cover plate with the pre-drilled holes over the neoprene seal, and secure in place using the retainer countersunk head screws.

Fig. 5 [Straight Installation Completed]

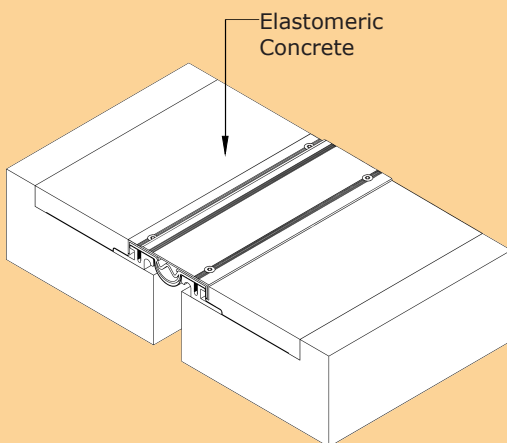


Figure 5

10. Fill the blockout with elastomeric concrete up to the aluminum/stainless steel retainer top cap and floor finish level.
11. Clean the exposed surfaces with a non-solvent cleaner as required.

Figure 6

12. In case of floor to wall application, bend wall side wings of sealing insert upward, extend the EPDM rubber same height as the wing. Use adhesive to hold both sealing insert and EPDM rubber in place and cover with Aluminum/Stainless Steel cover plate.

Fig. 6 [Corner Installation Completed]

