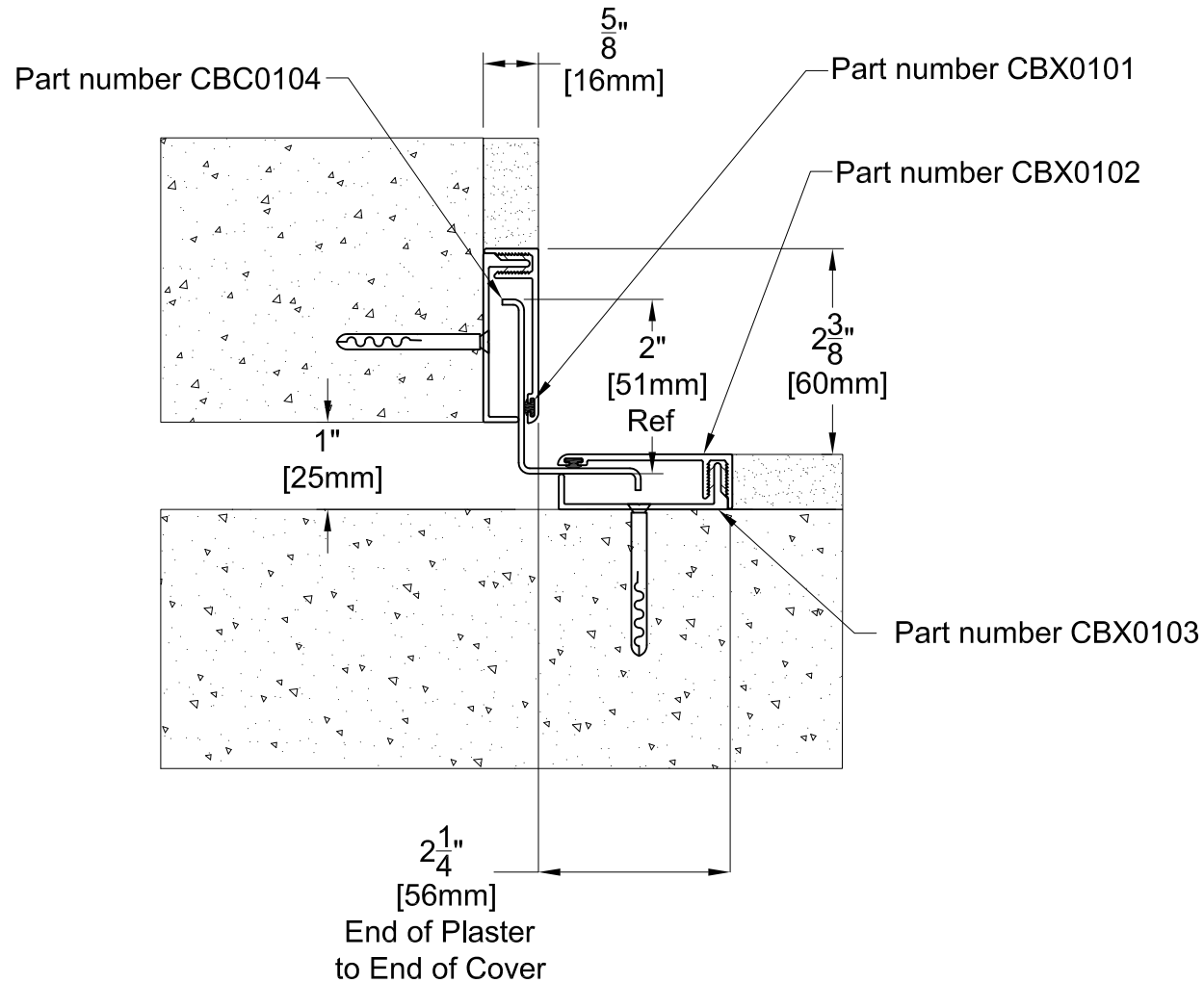


CBC01 SYSTEM



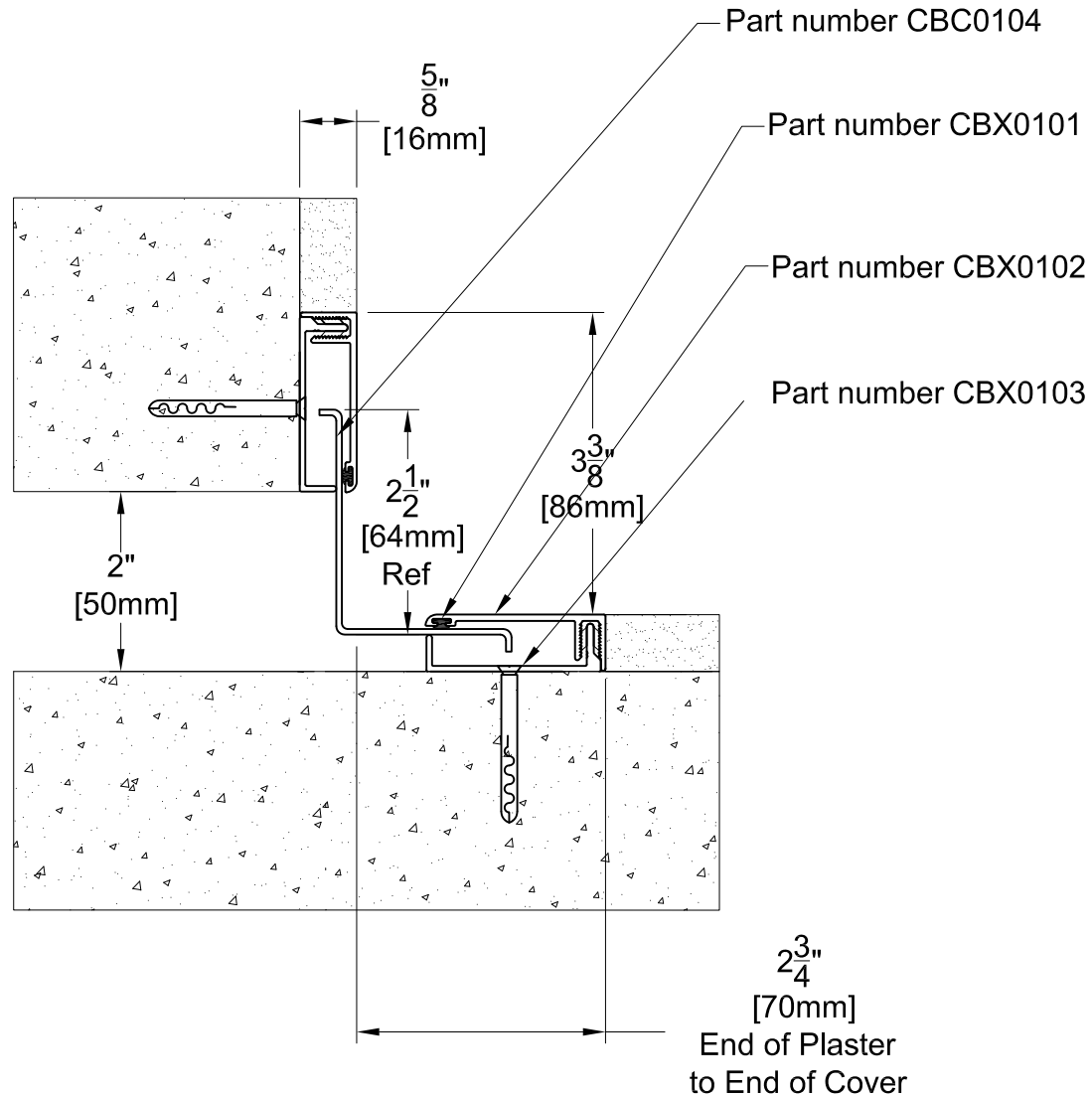
TECHNICAL DATA	IMPERIAL (inc)	METRIC (mm)
Joint Width	1"	25
Movement ± (Horizontal)	1/4"	6
Movement ± (Vertical)	1/4"	6
Date: Jan., 2012	Scale: NTS	
Rev:	Drawn by :	

APPLICATION: EXPANSION JOINT COVER FOR WALL CORNER / WALL TO CEILING



PROSPEC SPECIALTIES INC.
 3601 HIGHWAY 7, SUITE 400
 MARKHAM ON L3R 0M3, CANADA.
 TEL: (888) - 749 - 8456,
 FAX: (888) - 749 - 8455
 Email: info@prospecspecialties.com
 Web: prospectspecialties.com

CBC02 SYSTEM



TECHNICAL DATA	IMPERIAL (inc)	METRIC (mm)
Joint Width	2"	51
Movement ± (Horizontal)	1/2"	13
Movement ± (Vertical)	1/2"	13

Date: Jan., 2012 Scale: NTS

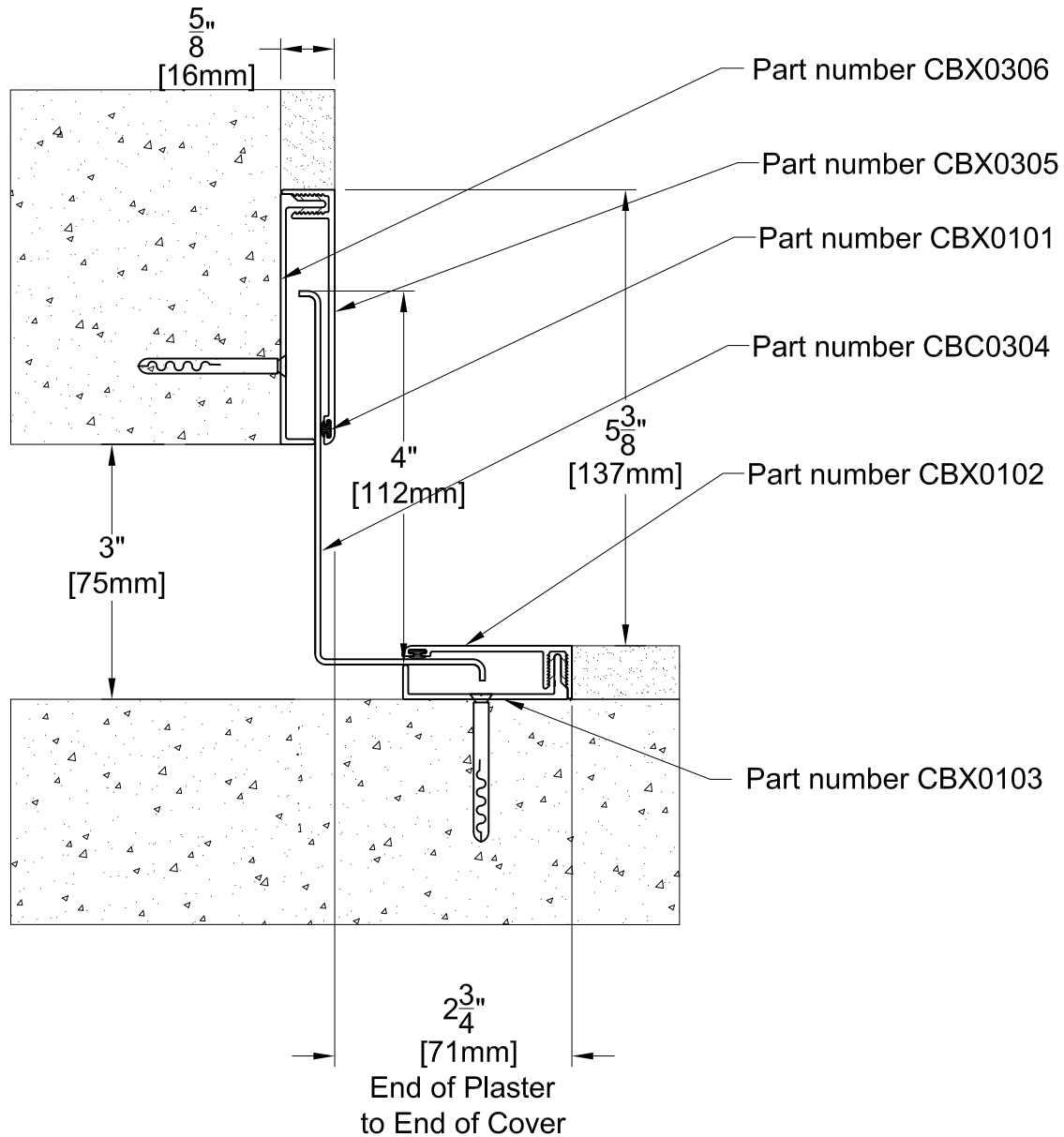
Rev: Drawn by :

APPLICATION: EXPANSION JOINT COVER
FOR WALL CORNER / WALL TO CEILING



PROSPEC SPECIALTIES INC.
3601 HIGHWAY 7, SUITE 400
MARKHAM ON L3R 0M3, CANADA.
TEL: (888) - 749 - 8456,
FAX: (888) - 749 - 8455
Email: info@prospecspecialties.com
Web: prospecspecialties.com

CBC03 SYSTEM



TECHNICAL DATA	IMPERIAL (inc)	METRIC (mm)
Joint Width	3"	75
Movement ± (Horizontal)	3/4"	19
Movement ± (Vertical)	3/4"	19

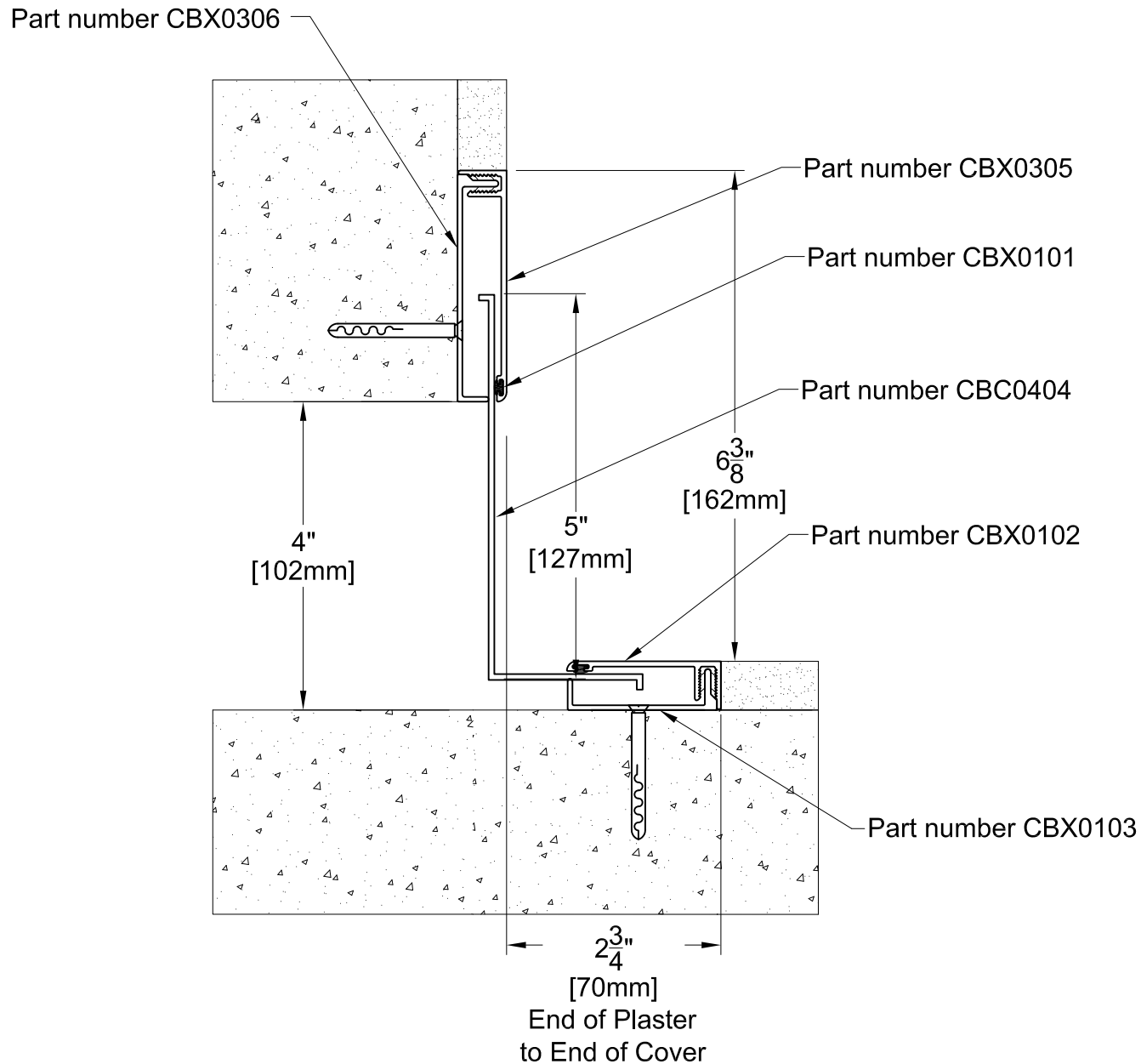
Date: Jan., 2012 Scale: NTS
 Rev: Drawn by :

APPLICATION: EXPANSION JOINT COVER FOR WALL CORNER / WALL TO CEILING



PROSPEC SPECIALTIES INC.
 3601 HIGHWAY 7, SUITE 400
 MARKHAM ON L3R 0M3, CANADA.
 TEL: (888) - 749 - 8456,
 FAX: (888) - 749 - 8455
 Email: info@prospecspecialties.com
 Web: prospecspecialties.com

CBC04 SYSTEM



TECHNICAL DATA	IMPERIAL (inc)	METRIC (mm)
Joint Width	4"	100
Movement ± (Horizontal)	1"	25
Movement ± (Vertical)	1"	25

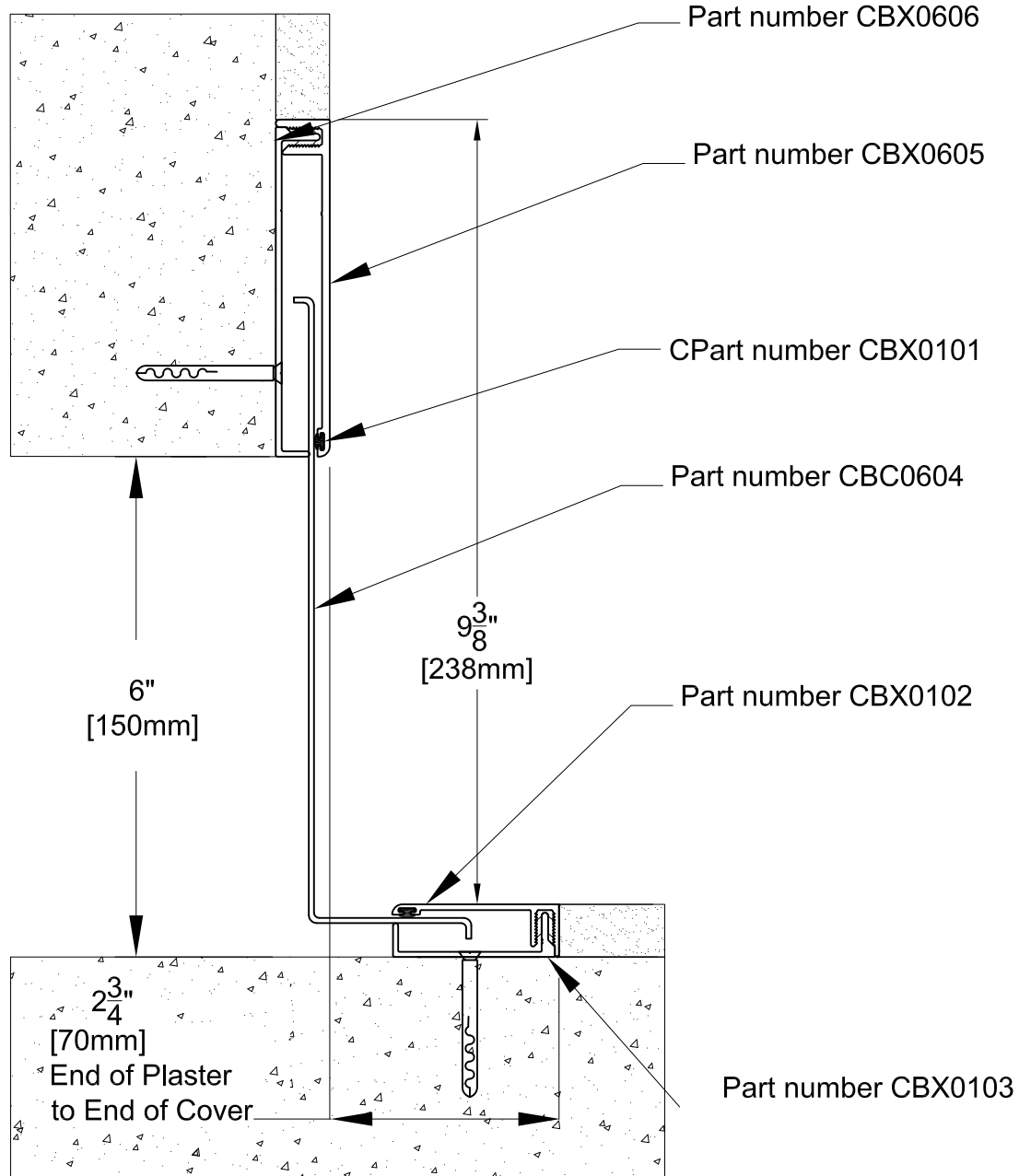
Date: Jan., 2012 Scale: NTS
 Rev: Drawn by :

APPLICATION: EXPANSION JOINT COVER FOR WALL CORNER / WALL TO CEILING



PROSPEC SPECIALTIES INC.
 3601 HIGHWAY 7, SUITE 400
 MARKHAM ON L3R 0M3, CANADA.
 TEL: (888) - 749 - 8456,
 FAX: (888) - 749 - 8455
 Email: info@prospecspecialties.com
 Web: prospectspecialties.com

CBC06 SYSTEM



TECHNICAL DATA	IMPERIAL (inc)	METRIC (mm)
Joint Width	6"	150
Movement ± (Horizontal)	1-1/2"	38
Movement ± (Vertical)	1-1/2"	38

Date: Jan., 2012 Scale: NTS
 Rev: Drawn by :

APPLICATION: EXPANSION JOINT COVER FOR WALL CORNER / WALL TO CEILING



PROSPEC SPECIALTIES INC.
 3601 HIGHWAY 7, SUITE 400
 MARKHAM ON L3R 0M3, CANADA.
 TEL: (888) - 749 - 8456,
 FAX: (888) - 749 - 8455
 Email: info@prospecspecialties.com
 Web: prospectspecialties.com