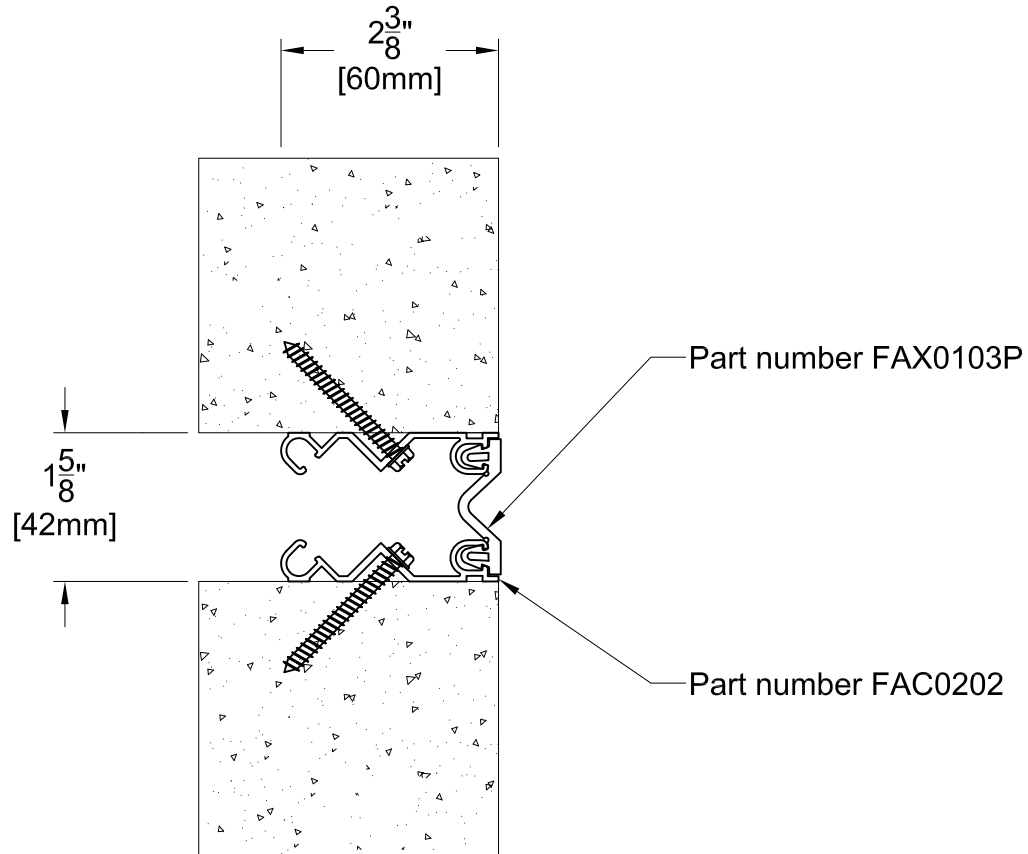


# FKS01 SYSTEM



TECHNICAL DATA	IMPERIAL (in)	METRIC (mm)
Joint Width	1"	25
Movement ± (Horizontal)	1/2"	12 1/2
Movement ± (Vertical)	1/2"	12 1/2

Date: Jan., 2012      Scale: NTS

Rev:      Drawn by :

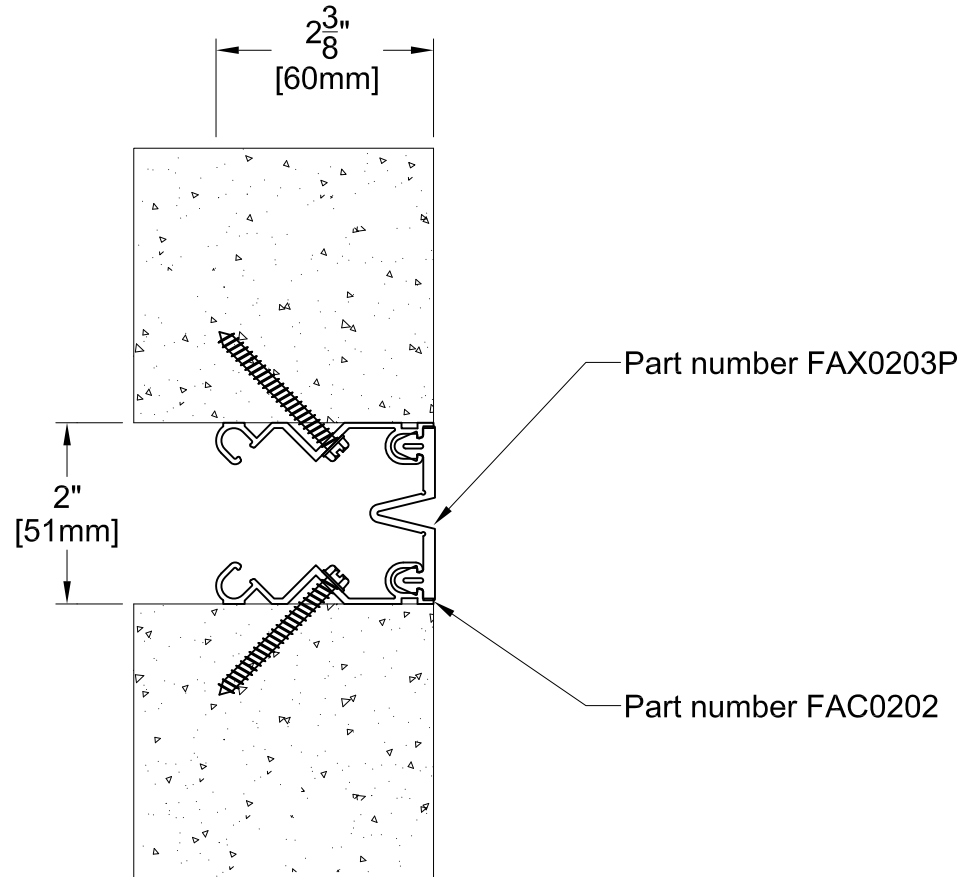
**Application:** Expansion Joint Cover for Wall to Wall / Ceiling to Ceiling.



**PROSPEC SPECIALTIES INC.**  
 3601 HIGHWAY 7, SUITE 400  
 MARKHAM ON L3R 0M3, CANADA.  
 Tel: (888) - 749 - 8456,  
 Fax: (888) - 749 - 8455  
 Email: [info@prospecspecialties.com](mailto:info@prospecspecialties.com)  
 Web: [prospecspecialties.com](http://prospecspecialties.com)

**Disclaimer:** As Prospec Specialties' Policy is one of continual technical progress for the improvement of the company's services to its customers, the company reserves the right to modify the Designs of its products without notice.

# FKS02 SYSTEM



TECHNICAL DATA	IMPERIAL (in)	METRIC (mm)
Joint Width	2"	51
Movement ± (Horizontal)	1"	25
Movement ± (Vertical)	1"	25

Date: Jan., 2012	Scale: NTS
Rev: 01	Drawn by :

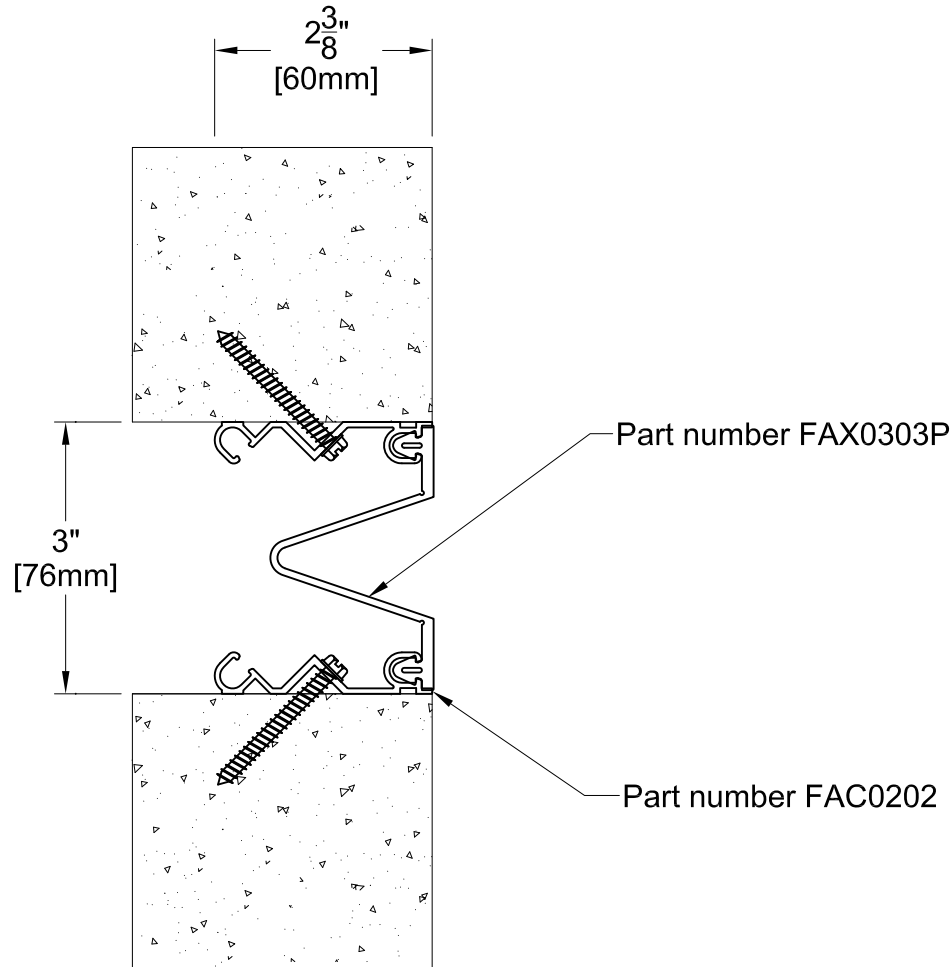
**Application:** Expansion Joint Cover for Wall to Wall / Ceiling to Ceiling.



**PROSPEC SPECIALTIES INC.**  
 3601 HIGHWAY 7, SUITE 400  
 MARKHAM ON L3R 0M3, CANADA.  
 Tel: (888) - 749 - 8456,  
 Fax: (888) - 749 - 8455  
 Email: [info@prospecspecialties.com](mailto:info@prospecspecialties.com)  
 Web: [prospecspecialties.com](http://prospecspecialties.com)

**Disclaimer:** As Prospec Specialties' Policy is one of continual technical progress for the improvement of the company's services to its customers, the company reserves the right to modify the Designs of its products without notice.

# FKS03 SYSTEM



TECHNICAL DATA	IMPERIAL (in)	METRIC (mm)
Joint Width	3"	76
Movement ± (Horizontal)	1-1/2"	38
Movement ± (Vertical)	1-1/2"	38

Date: Jan., 2012      Scale: NTS

Rev: 01      Drawn by :

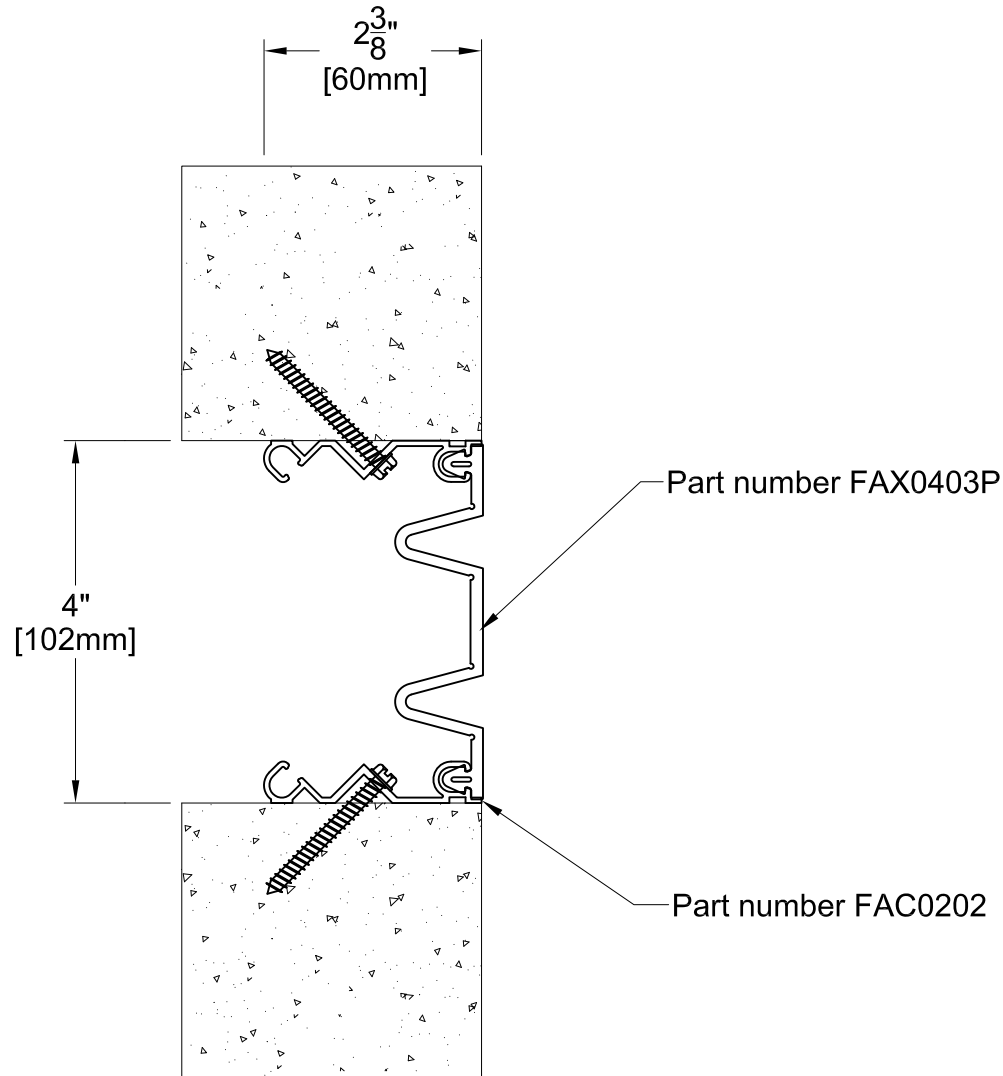
**Application:** Expansion Joint Cover for  
Wall to Wall / Ceiling to Ceiling.



**PROSPEC SPECIALTIES INC.**  
3601 HIGHWAY 7, SUITE 400  
MARKHAM ON L3R 0M3, CANADA.  
Tel: (888) - 749 - 8456,  
Fax: (888) - 749 - 8455  
Email: [info@prospecspecialties.com](mailto:info@prospecspecialties.com)  
Web: [prospecspecialties.com](http://prospecspecialties.com)

**Disclaimer:** As Prospec Specialties' Policy is one of continual technical progress for the improvement of the company's services to its customers, the company reserves the right to modify the Designs of its products without notice.

# FKS04 SYSTEM



TECHNICAL DATA	IMPERIAL (in)	METRIC (mm)
Joint Width	4"	102
Movement ± (Horizontal)	2"	51
Movement ± (Vertical)	2"	51

Date: Jan., 2012	Scale: NTS
Rev: 01	Drawn by :

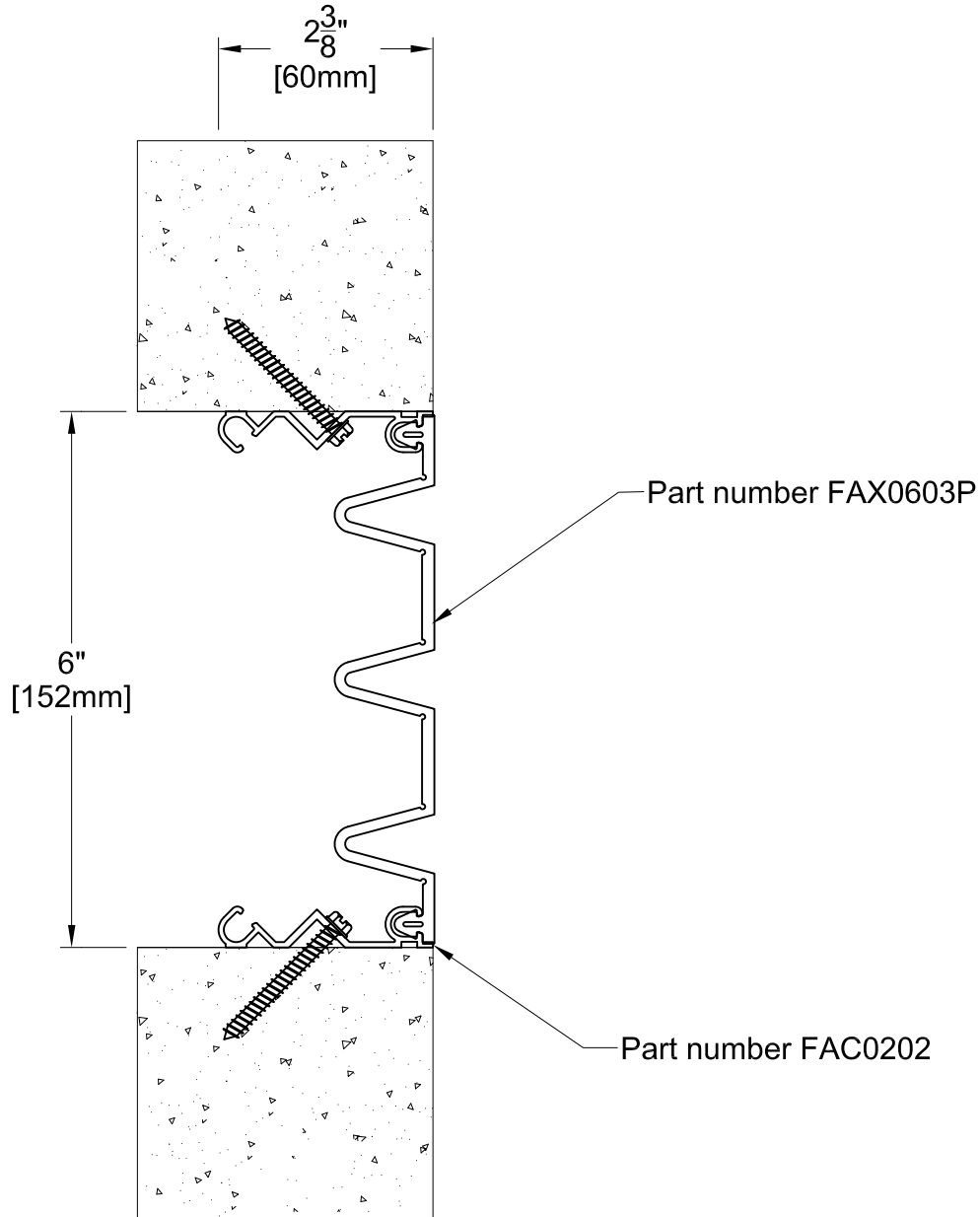
**Application:** Expansion Joint Cover for Wall to Wall / Ceiling to Ceiling.



**PROSPEC SPECIALTIES INC.**  
 3601 HIGHWAY 7, SUITE 400  
 MARKHAM ON L3R 0M3, CANADA.  
 Tel: (888) - 749 - 8456,  
 Fax: (888) - 749 - 8455  
 Email: [info@prospecspecialties.com](mailto:info@prospecspecialties.com)  
 Web: [prospecspecialties.com](http://prospecspecialties.com)

**Disclaimer:** As Prospec Specialties' Policy is one of continual technical progress for the improvement of the company's services to its customers, the company reserves the right to modify the Designs of its products without notice.

# FKS06 SYSTEM



TECHNICAL DATA	IMPERIAL (in)	METRIC (mm)
Joint Width	6"	152
Movement ± (Horizontal)	3"	76
Movement ± (Vertical)	3"	76

Date: Jan., 2012      Scale: NTS

Rev: 01      Drawn by :

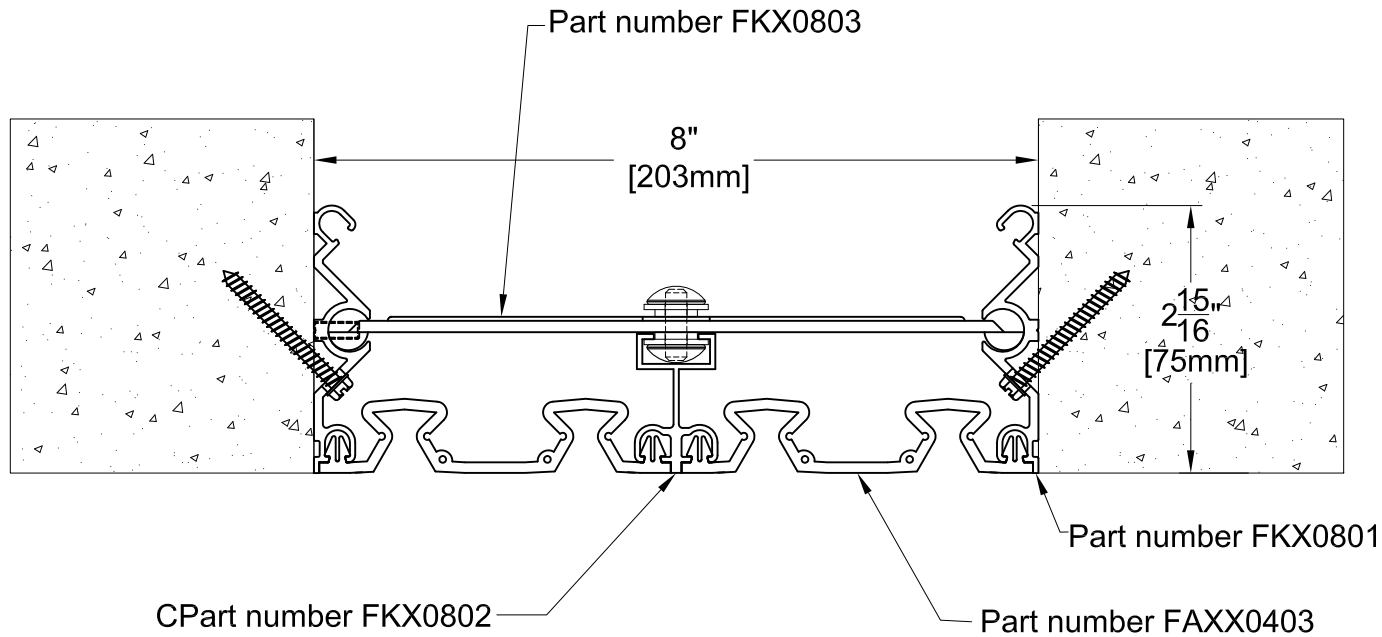
**Application:** Expansion Joint Cover for Wall to Wall / Ceiling to Ceiling.



**PROSPEC SPECIALTIES INC.**  
 3601 HIGHWAY 7, SUITE 400  
 MARKHAM ON L3R 0M3, CANADA.  
 Tel: (888) - 749 - 8456,  
 Fax: (888) - 749 - 8455  
 Email: [info@prospecspecialties.com](mailto:info@prospecspecialties.com)  
 Web: [prospecspecialties.com](http://prospecspecialties.com)

**Disclaimer:** As Prospec Specialties' Policy is one of continual technical progress for the improvement of the company's services to its customers, the company reserves the right to modify the Designs of its products without notice.

# FKS08 SYSTEM



TECHNICAL DATA	IMPERIAL (in)	METRIC (mm)
Joint Width	8"	203
Movement ± (Horizontal)	4"	102
Movement ± (Vertical)	4"	102

Date: Jan., 2012      Scale: NTS  
 Rev:      Drawn by :

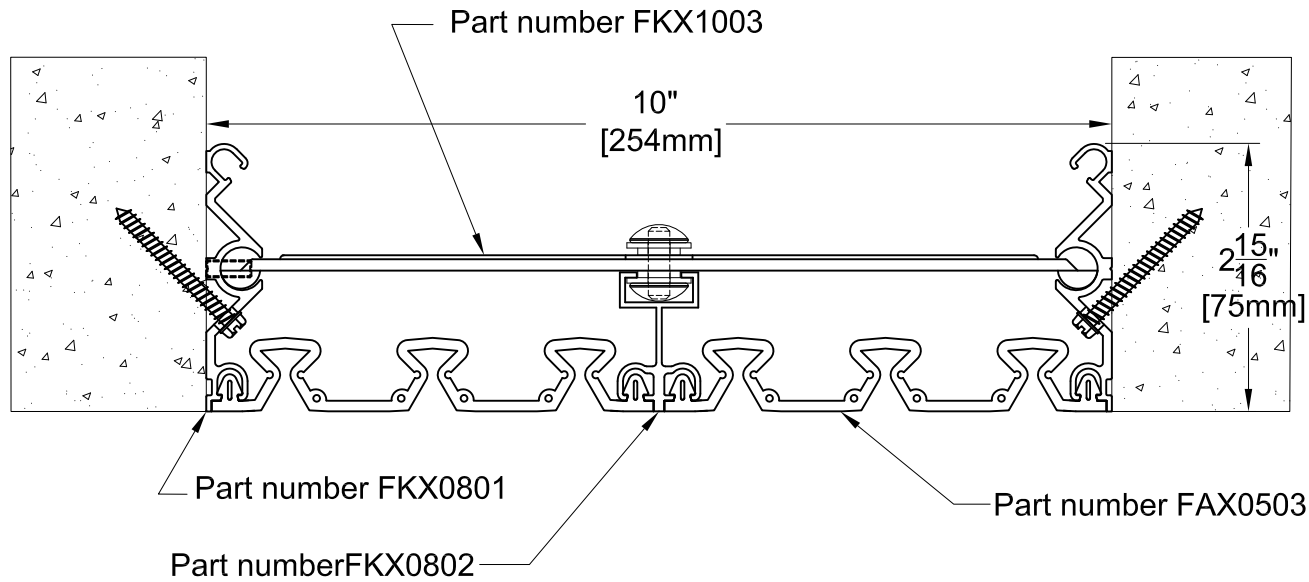
**Application:** Expansion Joint Cover for Wall to Wall / Ceiling to Ceiling.



**PROSPEC SPECIALTIES INC.**  
 3601 HIGHWAY 7, SUITE 400  
 MARKHAM ON L3R 0M3, CANADA.  
 Tel: (888) - 749 - 8456,  
 Fax: (888) - 749 - 8455  
 Email: [info@prospecspecialties.com](mailto:info@prospecspecialties.com)  
 Web: [prospecspecialties.com](http://prospecspecialties.com)

**Disclaimer:** As Prospec Specialties' Policy is one of continual technical progress for the improvement of the company's services to its customers, the company reserves the right to modify the Designs of its products without notice.

# FKS10 SYSTEM



TECHNICAL DATA	IMPERIAL (in)	METRIC (mm)
Joint Width	10"	254
Movement ± (Horizontal)	5"	127
Movement ± (Vertical)	5"	127

Date: Jan., 2012	Scale: NTS
Rev:	Drawn by :

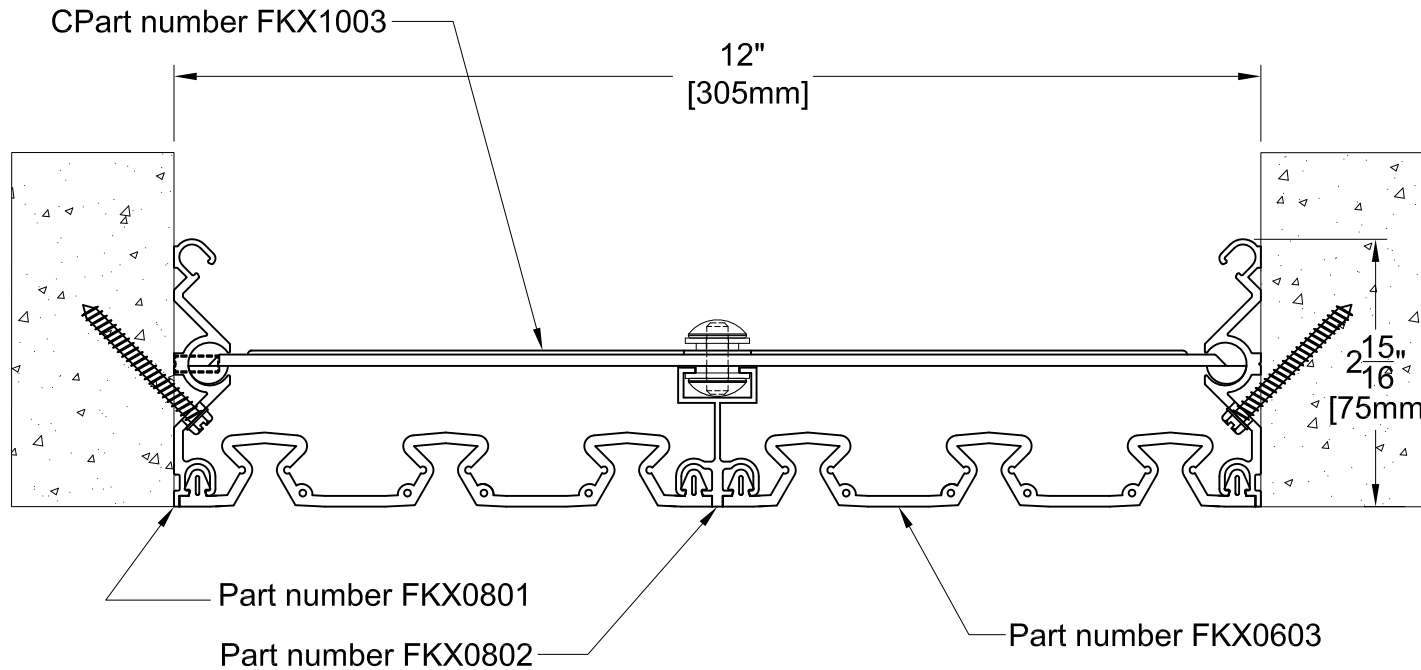
**Application:** Expansion Joint Cover for Wall to Wall / Ceiling to Ceiling.



**PROSPEC SPECIALTIES INC.**  
 3601 HIGHWAY 7, SUITE 400  
 MARKHAM ON L3R 0M3, CANADA.  
 Tel: (888) - 749 - 8456,  
 Fax: (888) - 749 - 8455  
 Email: [info@prospecspecialties.com](mailto:info@prospecspecialties.com)  
 Web: [prospecspecialties.com](http://prospecspecialties.com)

**Disclaimer:** As Prospec Specialties' Policy is one of continual technical progress for the improvement of the company's services to its customers, the company reserves the right to modify the Designs of its products without notice.

# FKS12 SYSTEM



TECHNICAL DATA	IMPERIAL (in)	METRIC (mm)
Joint Width	12"	305
Movement ± (Horizontal)	6"	152
Movement ± (Vertical)	6"	152

Date: Jan., 2012	Scale: NTS
Rev:	Drawn by :

**Application:** Expansion Joint Cover for Wall to Wall / Ceiling to Ceiling.

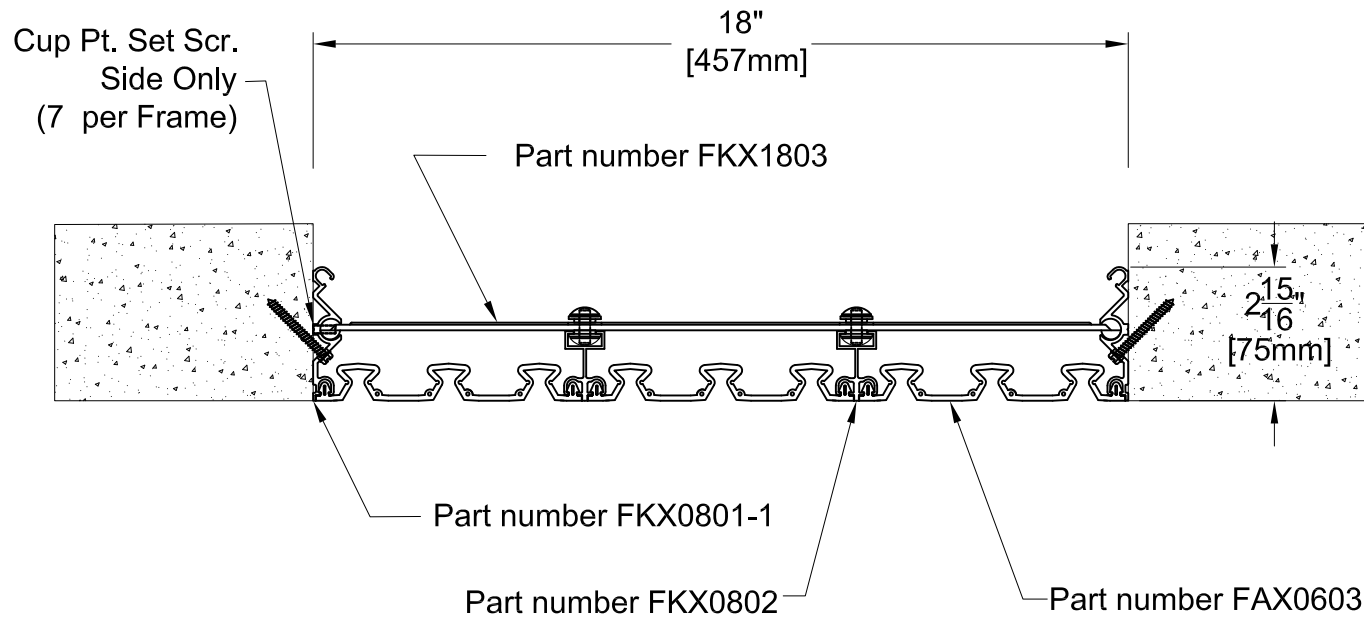


**PROSPEC SPECIALTIES INC.**  
 3601 HIGHWAY 7, SUITE 400  
 MARKHAM ON L3R 0M3, CANADA.  
 Tel: (888) - 749 - 8456,  
 Fax: (888) - 749 - 8455  
 Email: [info@prospecspecialties.com](mailto:info@prospecspecialties.com)  
 Web: [prospecspecialties.com](http://prospecspecialties.com)

**Disclaimer:** As Prospec Specialties' Policy is one of continual technical progress for the improvement of the company's services to its customers, the company reserves the right to modify the Designs of its products without notice.



# FKS18 SYSTEM



TECHNICAL DATA	IMPERIAL (in)	METRIC (mm)
Joint Width	18"	457
Movement ± (Horizontal)	9"	229
Movement ± (Vertical)	9"	229

Date: Jan., 2012 Scale: NTS

Rev: Drawn by :

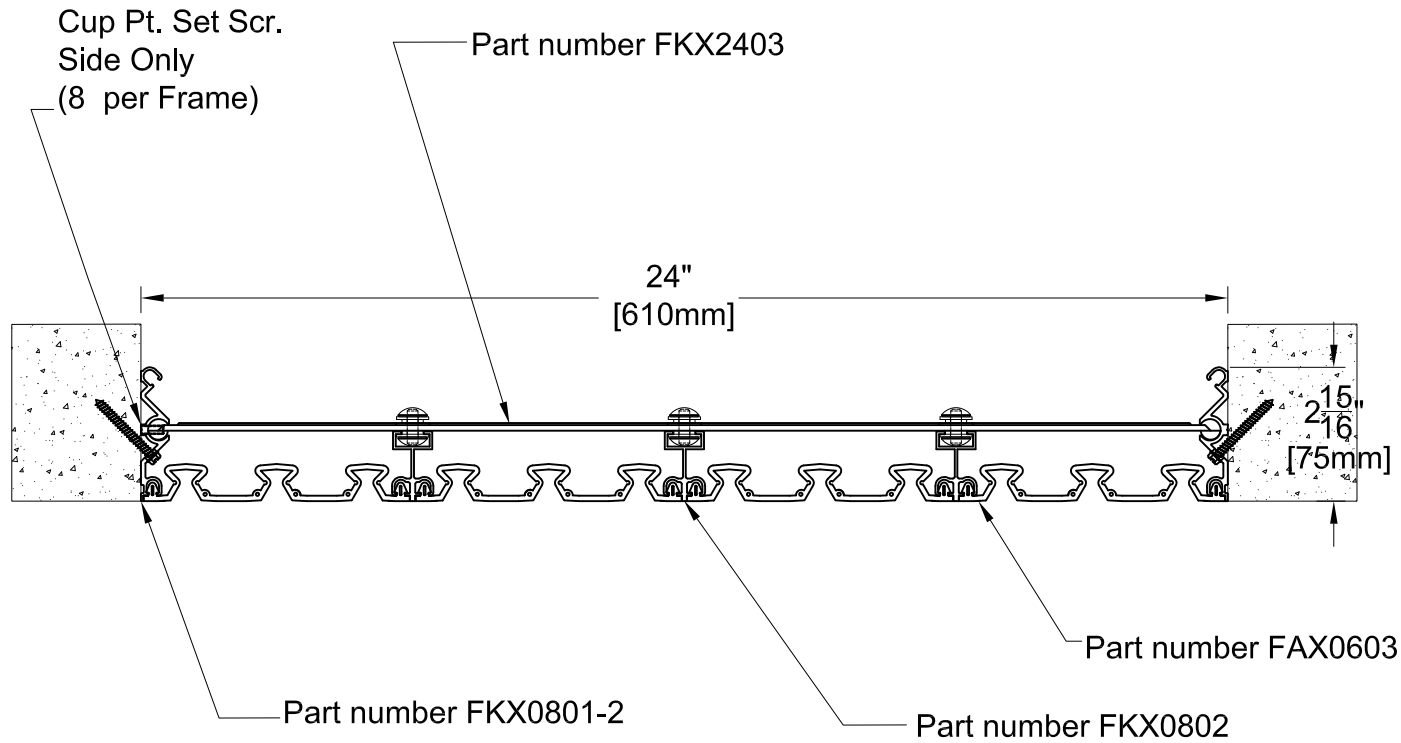
**Application:** Expansion Joint Cover for  
Wall to Wall / Ceiling to Ceiling.



**PROSPEC SPECIALTIES INC.**  
3601 HIGHWAY 7, SUITE 400  
MARKHAM ON L3R 0M3, CANADA.  
Tel: (888) - 749 - 8456,  
Fax: (888) - 749 - 8455  
Email: [info@prospecspecialties.com](mailto:info@prospecspecialties.com)  
Web: [prospecspecialties.com](http://prospecspecialties.com)

**Disclaimer:** As Prospec Specialties' Policy is one of continual technical progress for the improvement of the company's services to its customers, the company reserves the right to modify the Designs of its products without notice.

# FKS24 SYSTEM



TECHNICAL DATA	IMPERIAL (in)	METRIC (mm)
Joint Width	24"	610
Movement ± (Horizontal)	12"	305
Movement ± (Vertical)	12"	305

Date: Jan., 2012      Scale: NTS  
 Rev:      Drawn by :

**Application:** Expansion Joint Cover for  
 Wall to Wall / Ceiling to Ceiling.



**PROSPEC SPECIALTIES INC.**  
 3601 HIGHWAY 7, SUITE 400  
 MARKHAM ON L3R 0M3, CANADA.  
 Tel: (888) - 749 - 8456,  
 Fax: (888) - 749 - 8455  
 Email: [info@prospecspecialties.com](mailto:info@prospecspecialties.com)  
 Web: [prospecspecialties.com](http://prospecspecialties.com)

**Disclaimer:** As Prospec Specialties' Policy is one of continual technical progress for the improvement of the company's services to its customers, the company reserves the right to modify the Designs of its products without notice.