

Wall guard WG-6A

Material must be stored & installed in controlled environment.

Fig.1

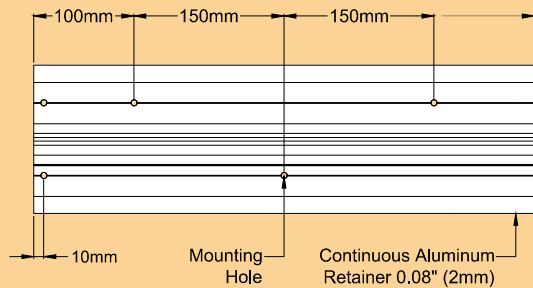


Fig.2

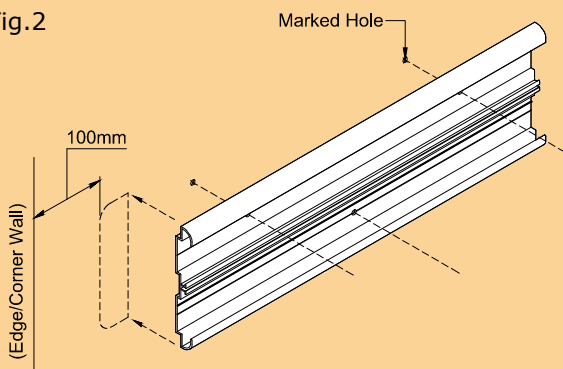


Fig.3

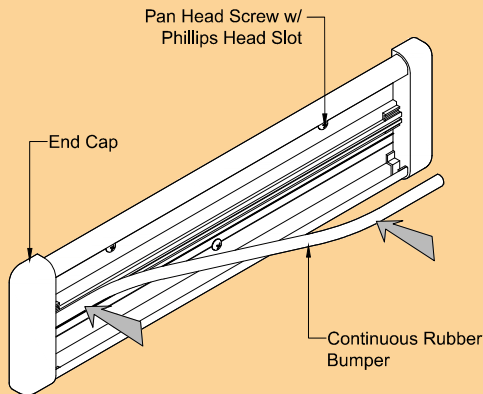
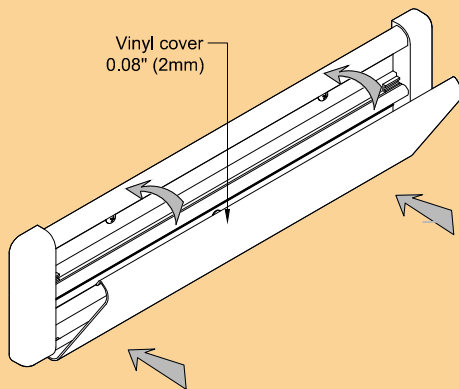


Fig.4



Preparation:

Prior to the installation of Wall Guard, check and verify the installation location and condition, any defects on surfaces must be repaired. It is important that surfaces are free of all foreign materials, and complete all finishing operations including painting before beginning installation.

Installation:

Establish wall guard height above finish floor, align and snap a chalk line to locate top of the retainer on wall. Cut the aluminum retainer to the required length, leaving allowance for left and right end caps.

Figure 1: Drill holes in the aluminum retainer using a 1/4" drill bit. Hole spacing at 4" (100mm) from each end, and maintain at least a max. of 6" (150mm) o.c in a zigzag pattern and 3/8" (10mm) from each end of the retainer for end caps.

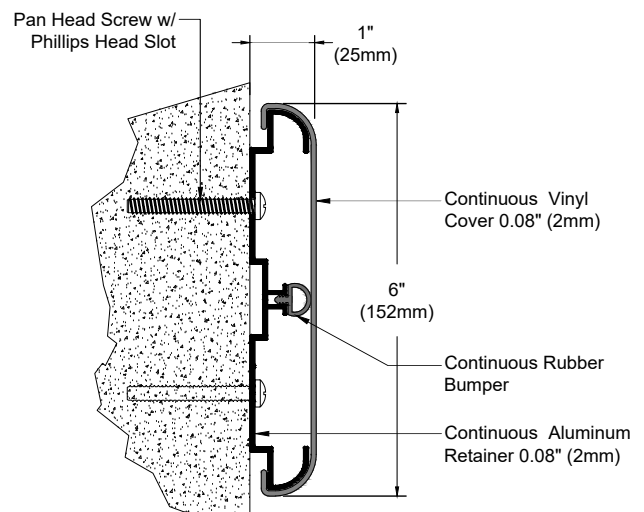
Figure 2: Position the aluminum retainer on wall as a template, allowing for end caps and 4" (100mm) distance from edge/corner wall to end caps, level and mark holes. Remove the retainer and drill the marked holes.

Figure 3: Mount the retainer over the drilled holes on the wall with #10 pan head or hex washer head screws and tighten to secure the retainer. Attach end caps to the retainer, leaving 1/16" (1.5mm) gap to allow for adjustment and secure with two screws per end cap. Insert the continuous rubber bumper over the length of the retainer.

Figure 4: Measure the length between end caps and cut the vinyl cover accordingly. NOTE: Trim factory edges square before installation. Snap the wall guard vinyl cover in place and adjust end caps for a tight fit.

Cleaning:

Upon completion of installation, clean the exposed surfaces with a non-solvent cleaner.



Section Details

