

## KE Series

Note: Verify that the structural gap is in conformance with submittal data before beginning installation. If this is a Fire Rated Assembly, install the fire barrier before the Architectural Joint System. Refer to the fire barrier instructions for specific system installation.

Fig. 1

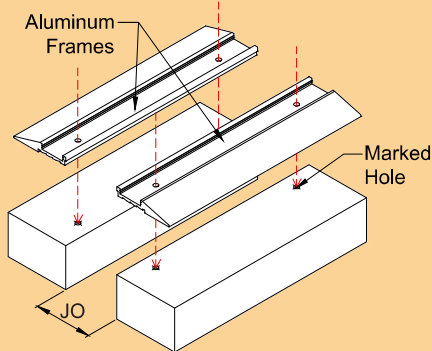


Fig. 1 (4a)

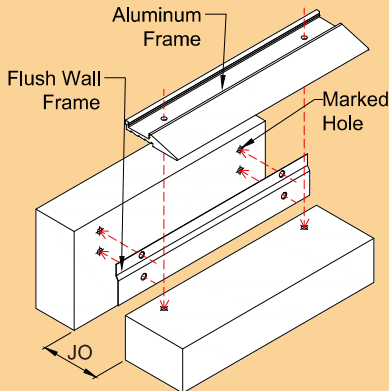


Fig. 2

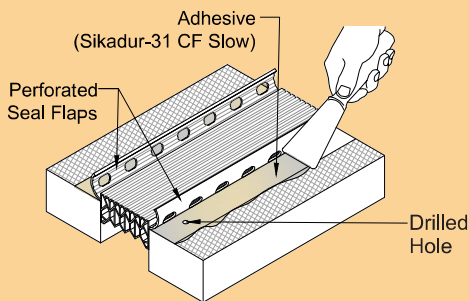
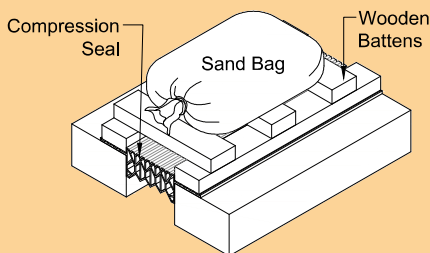


Fig. 3



1. Install the architectural joint system on a finished floor surface level.
2. Cut the aluminum frame to the required length.
3. Drill holes on the aluminum frame using drill bit, spaced maintain at least 18" (460mm) center to center and 4-3/4" (120mm) distance from each end of the frame.

Figure 1

4. Place the aluminum frames on both sides of the structural gap substrate as a template. Do not extend the aluminum frames over the edge of the structural gap. Align and level.

- 4a. For floor to wall system, make sure the flush wall frame is firmly located against the finished wall.

5. Mark the pre-drilled holes on the substrate and remove the frames from the gap.

6. Drill the marked holes on the substrate using a 5/16" concrete drill bit to 2-1/4" depth.

Figure 2

7. Place the compression seal over the joint opening with the perforated seal flaps seated squarely on the surface substrate.

8. The adjacent joint area maybe masked with tape to ensure neat, clean joint lines.

9. Prepare the adhesive (Sikadur - 31 CF Slow). Mix the components A and B together for at least 3 minutes with a mixing spindle attached to a slow speed electric drill until the material becomes smooth in consistency. Mix only that quantity which can be used within its pot life.

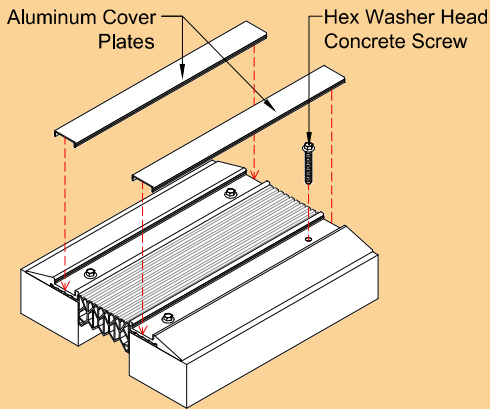
10. Apply the adhesive (Sikadur - 31 CF Slow), raise the perforated seal flaps and spread bedding adhesive evenly over the surface substrate within the seal flaps boundary only, using trowel. Note: For the application of the adhesive do not include the drilled holes on the substrate for fixing screws and leave it open. Embed seal flaps while adhesive is still fresh. Cure time (subject to humidity & UV levels): optimum curing will be achieved in 12 hours when ambient temp. are in the range of 10-35 degree celsius.

Figure 3

11. Place wooden battens and sand bags to ensure the seal flaps remain flat.



Fig. 4  
(Straight)



(Corner)

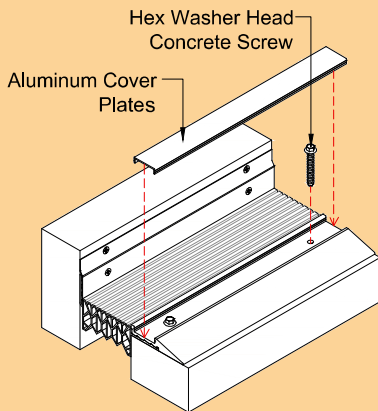


Figure 4

12. Once the Compression seal flaps firmly fixed to the substrate and the adhesive is fully cured, place the aluminum frame on the top of each seal flaps and secure with the hex washer head concrete screws, then cover the receptacle of each frame with the aluminum cover plate.

13. Clean the exposed surfaces with a non-solvent cleaner.

