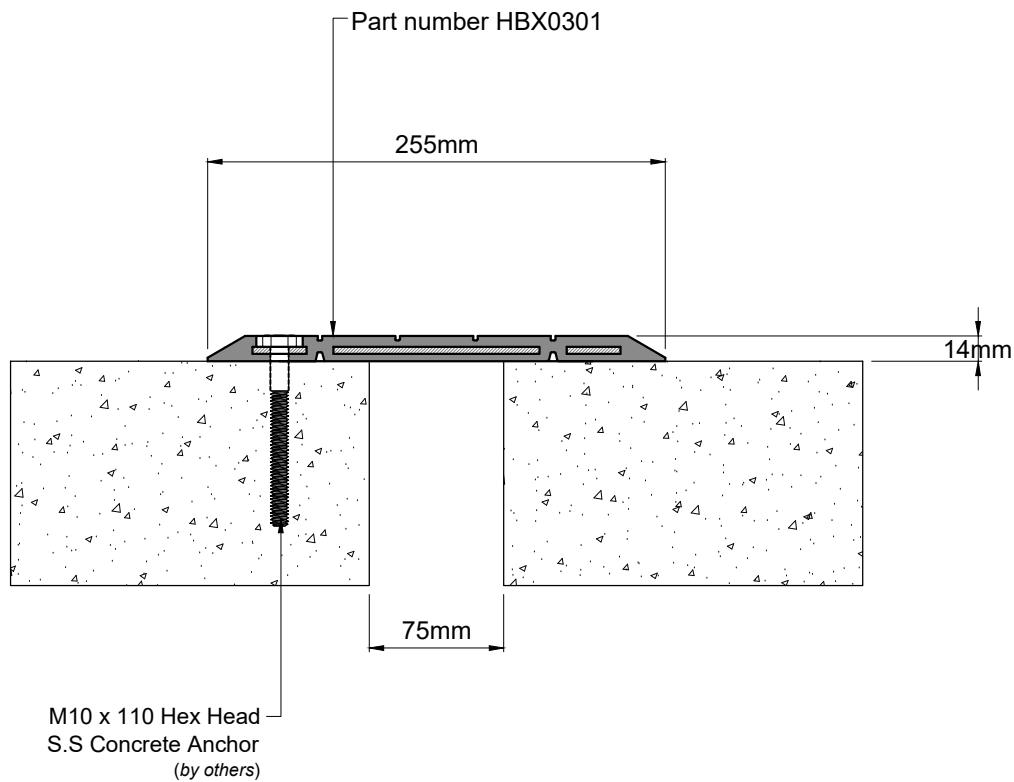


HBS075 SYSTEM



Joint Width	Metric (mm)
Joint Width	75
Movement ± (Hor.)	38
Movement ± (Ver.)	
Load	Heavy Duty
Date:	Scale: NTS
Rev:	Drawn by:

Application:
Expansion Joint Cover for Floor to Floor Condition



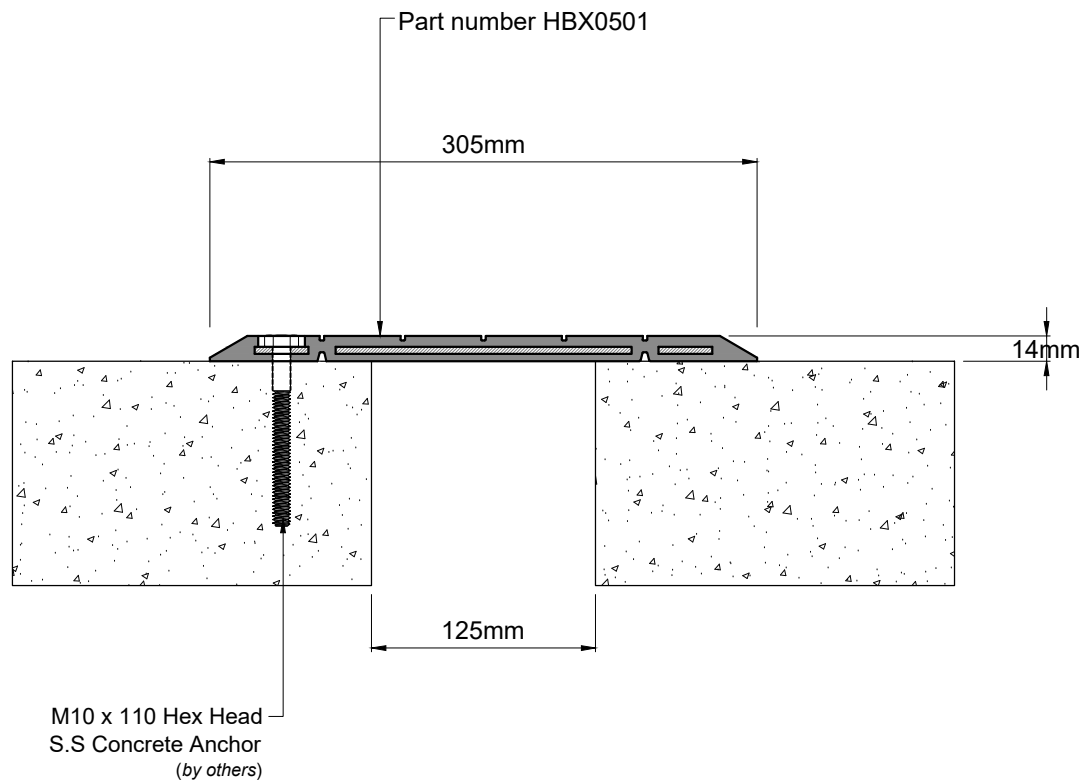
PROSPEC SPECIALTIES INC.

26-5250 Satellite Drive,
Mississauga, Ontario L4W 5G5,
Canada

Tel : (888) - 749 - 8465
Email: info@prospecspecialties.com
Web : prospecspecialties.com

Disclaimer: As Prospec Specialties' Policy is one of continual technical progress for the improvement of the company's services to its customers, the company reserves the right to modify the Designs of its products without notice.

HBS125 SYSTEM



Joint Width	Metric (mm)
Joint Width	125
Movement ± (Hor.)	63
Movement ± (Ver.)	
Load	Heavy Duty
Date:	Scale: NTS
Rev:	Drawn by:

Application:
Expansion Joint Cover for Floor to Floor Condition



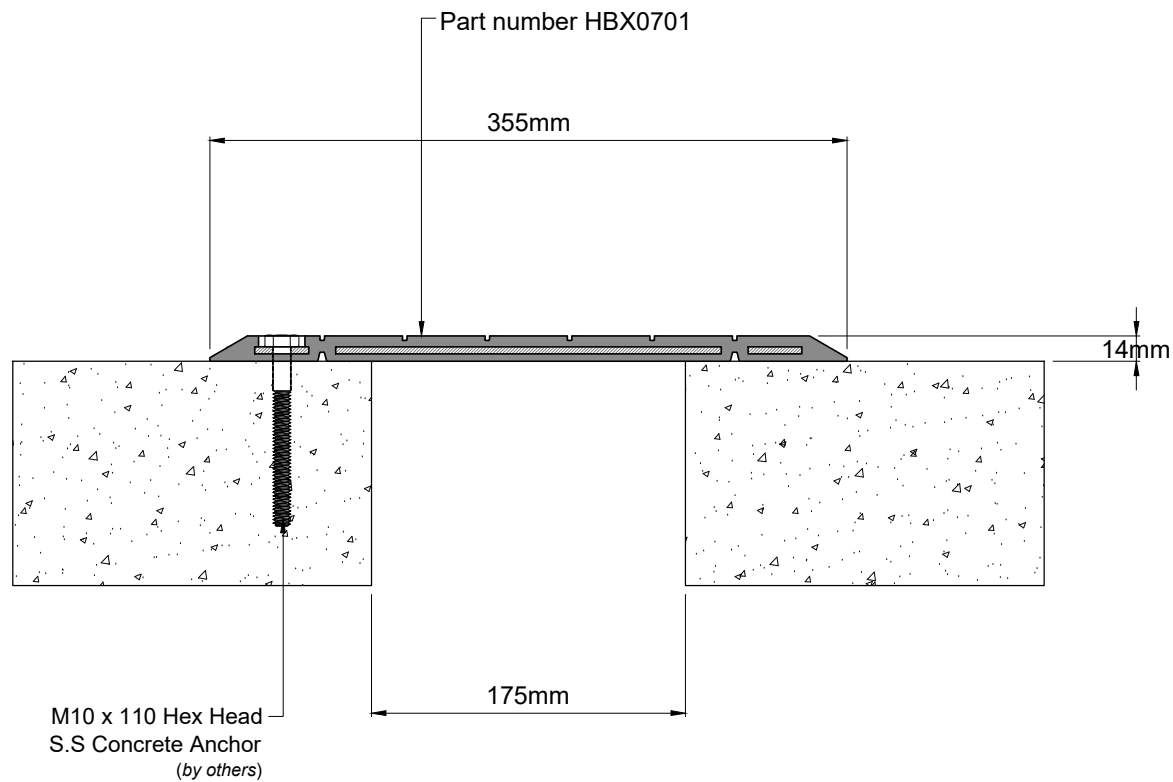
PROSPEC SPECIALTIES INC.

26-5250 Satellite Drive,
Mississauga, Ontario L4W 5G5,
Canada

Tel : (888) - 749 - 8465
Email: info@prospecspecialties.com
Web : prospecspecialties.com

Disclaimer: As Prospec Specialties' Policy is one of continual technical progress for the improvement of the company's services to its customers, the company reserves the right to modify the Designs of its products without notice.

HBS175 SYSTEM



Joint Width	Metric (mm)
Joint Width	175
Movement ± (Hor.)	88
Movement ± (Ver.)	
Load	Heavy Duty
Date:	Scale: NTS
Rev:	Drawn by:

Application:
Expansion Joint Cover for Floor to Floor Condition



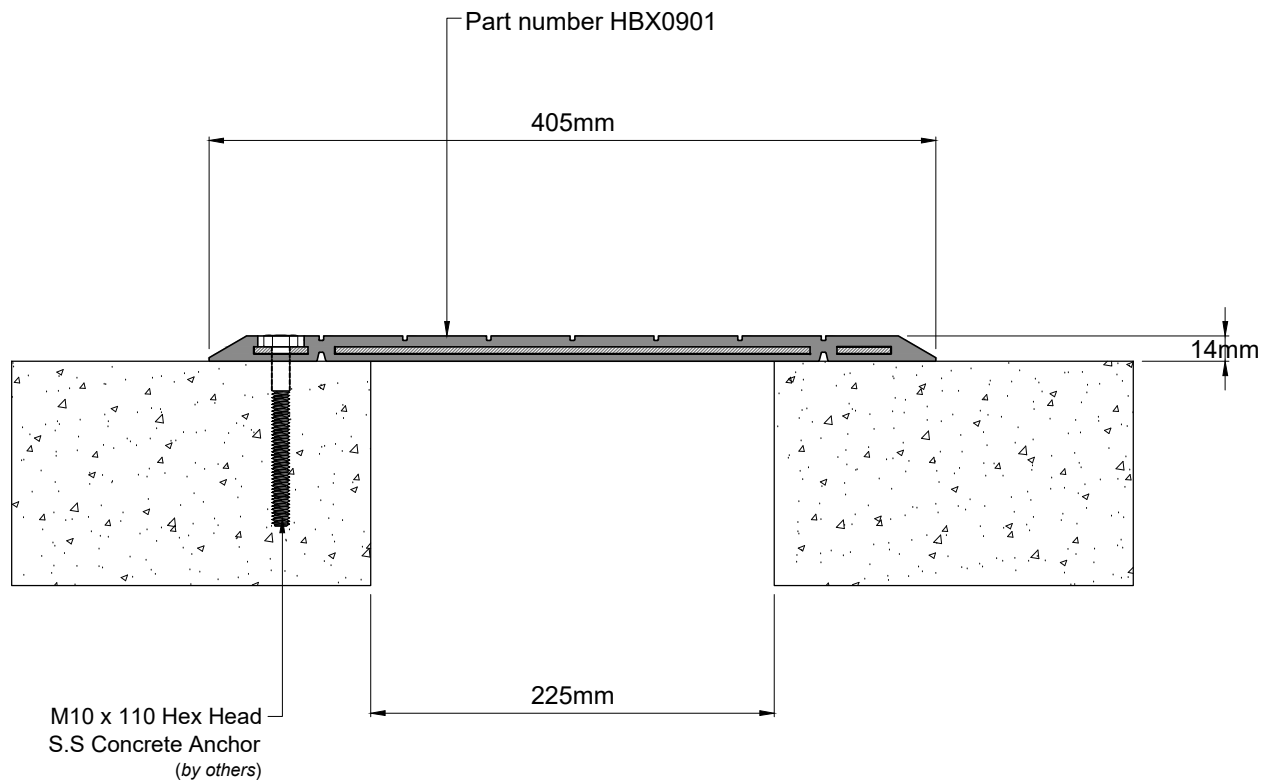
PROSPEC SPECIALTIES INC.

26-5250 Satellite Drive,
Mississauga, Ontario L4W 5G5,
Canada

Tel : (888) - 749 - 8465
Email: info@prospecspecialties.com
Web : prospecspecialties.com

Disclaimer: As Prospec Specialties' Policy is one of continual technical progress for the improvement of the company's services to its customers, the company reserves the right to modify the Designs of its products without notice.

HBS225 SYSTEM



Joint Width	Metric (mm)
Joint Width	225
Movement ± (Hor.)	113
Movement ± (Ver.)	
Load	Heavy Duty
Date:	Scale: NTS
Rev:	Drawn by:

Application:
Expansion Joint Cover for Floor to Floor Condition



PROSPEC SPECIALTIES INC.

26-5250 Satellite Drive,
Mississauga, Ontario L4W 5G5,
Canada

Tel : (888) - 749 - 8465
Email: info@prospecspecialties.com
Web : prospecspecialties.com

Disclaimer: As Prospec Specialties' Policy is one of continual technical progress for the improvement of the company's services to its customers, the company reserves the right to modify the Designs of its products without notice.