

Product and Company Identification

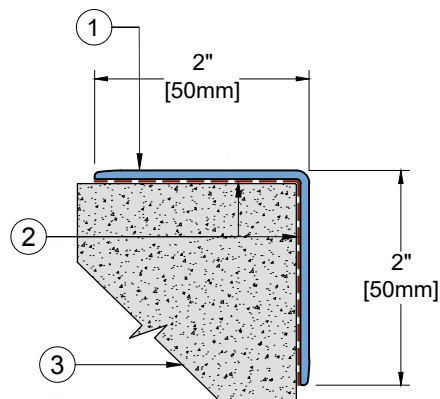
Product Name: **CG-2F** (Corner Guard)
Manufacturer's Name: **Prospec Specialties Inc.**
Suite 400, 3601, Highway 7,
Markham ON, L3R 0M3, Canada
Emergency #: (888) 749-8456

System Details:

1. Aluminum (Grade 6063-T6) Corner Guard, 0.08" (2mm) thick.
2. Butyl Adhesive
3. Wall/Column Concrete Corner (by others)

Standard Heights:

- 3' (0.91m)
- 4' (1.22m)
- 8' (2.44m)
- 9' (2.74m)
- 12' (3.66m)

**Product Description:**

- 90° angle installation with uniform 2" (50mm) wings
- Fast installation, does not require any site preparation
- Meets immediate needs with availability through our FAST SHIP program