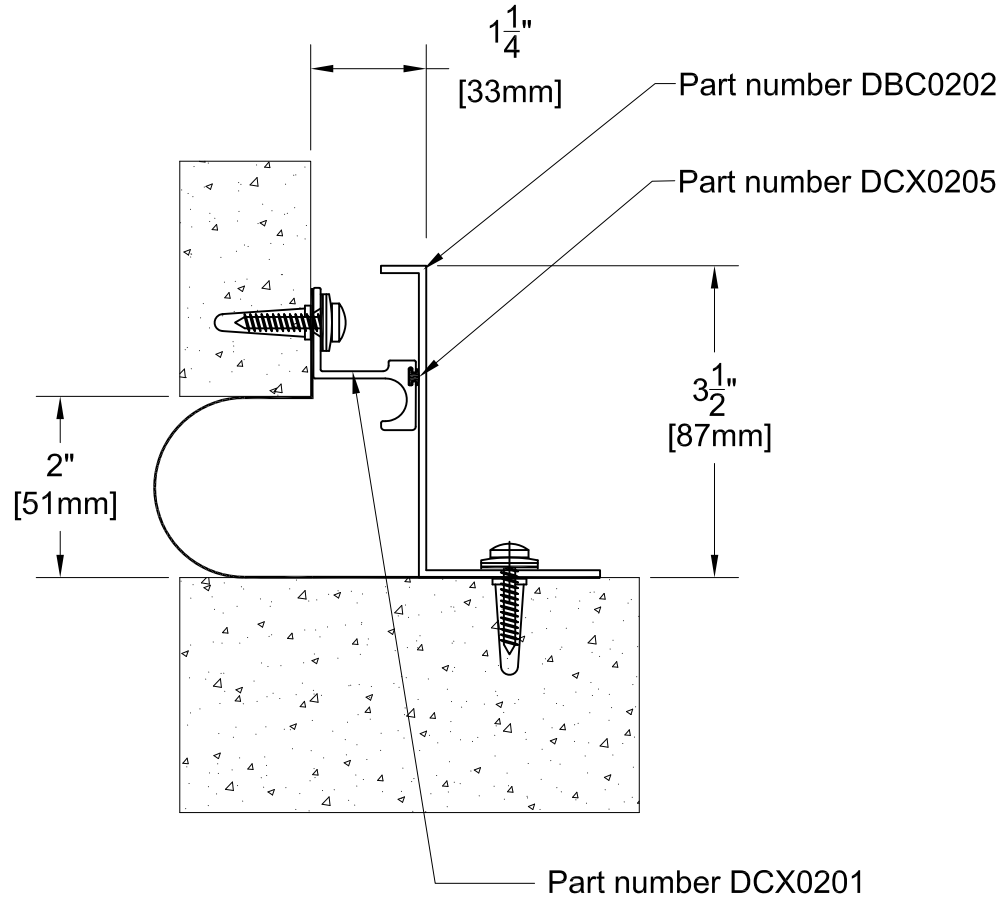


# DBC02 SYSTEM



| TECHNICAL DATA          | IMPERIAL<br>(inc) | METRIC<br>(mm) |
|-------------------------|-------------------|----------------|
| Joint Width             | 2"                | 51             |
| Movement ± (Horizontal) | 1"                | 25             |
| Movement ± (Vertical)   | 1"                | 25             |

Date: Feb., 2013      Scale: NTS

Rev:      Drawn by: NP

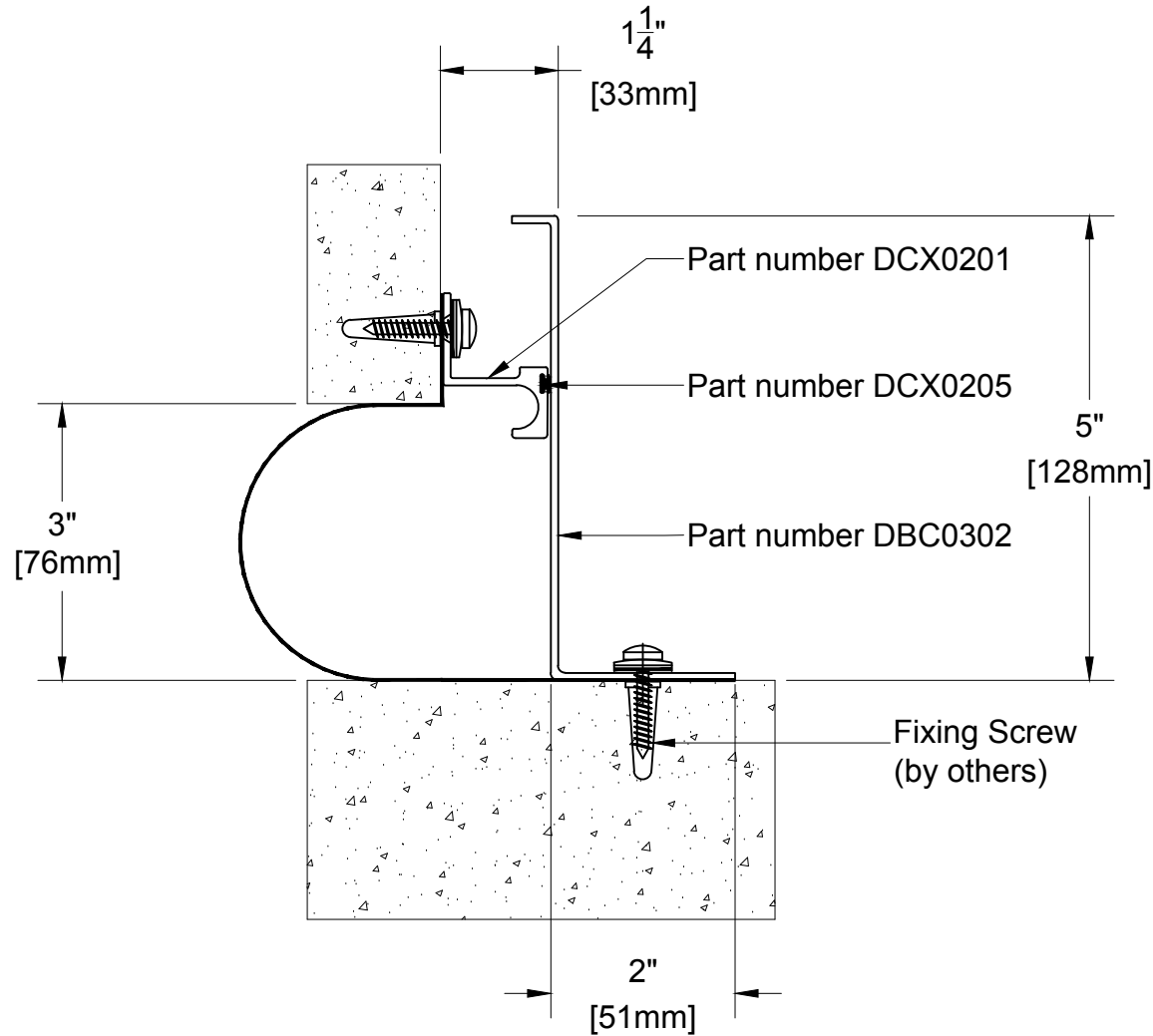
**APPLICATION:** Expansion Joint Cover for Wall Corner / Wall to Ceiling



**PROSPEC SPECIALTIES INC.**  
 3601 HIGHWAY 7, SUITE 400  
 MARKHAM ON L3R 0M3, CANADA.  
 TEL: (888) - 749 - 8456,  
 FAX: (888) - 749 - 8455  
 Email: [info@prospecspecialties.com](mailto:info@prospecspecialties.com)  
 Web: [prospecspecialties.com](http://prospecspecialties.com)

**Disclaimer:** As Prospec Specialties' Policy is one of continual technical progress for the improvement of the company's services to its customers, the company reserves the right to modify the Designs of its products without notice.

# DBC03 SYSTEM



| TECHNICAL DATA          | IMPERIAL<br>(inc) | METRIC<br>(mm) |
|-------------------------|-------------------|----------------|
| Joint Width             | 3"                | 76             |
| Movement ± (Horizontal) | 1-1/2"            | 38             |
| Movement ± (Vertical)   | 1-1/2"            | 38             |

|                  |               |
|------------------|---------------|
| Date: Feb., 2013 | Scale: NTS    |
| Rev:             | Drawn by : NP |

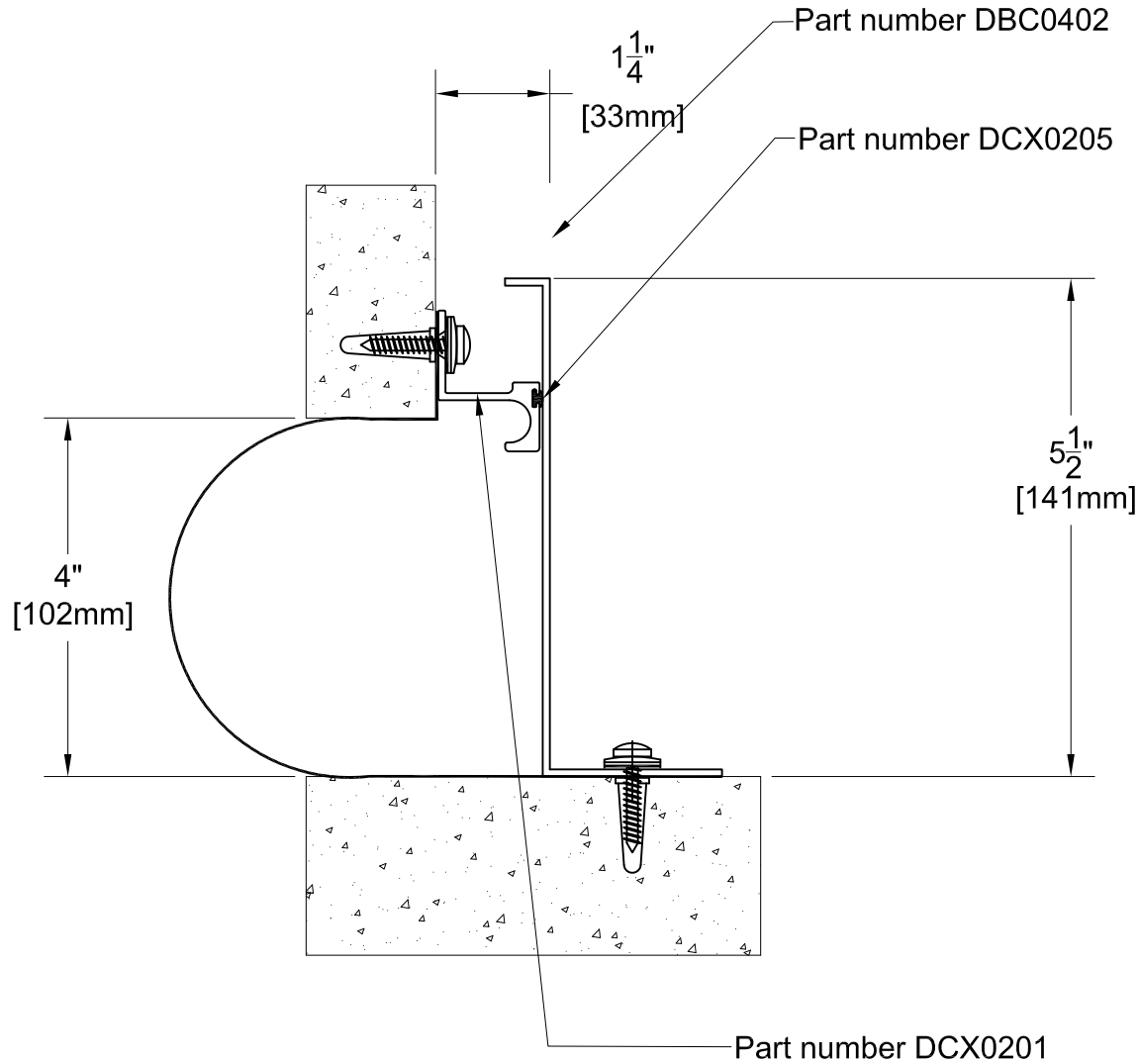
**APPLICATION:** Expansion Joint Cover for Wall Corner / Wall to Ceiling



**PROSPEC SPECIALTIES INC.**  
 3601 HIGHWAY 7, SUITE 400  
 MARKHAM ON L3R 0M3, CANADA.  
 TEL: (888) - 749 - 8456,  
 FAX: (888) - 749 - 8455  
 Email: [info@prospecspecialties.com](mailto:info@prospecspecialties.com)  
 Web: [prospecspecialties.com](http://prospecspecialties.com)

**Disclaimer:** As Prospec Specialties' Policy is one of continual technical progress for the improvement of the company's services to its customers, the company reserves the right to modify the Designs of its products without notice.

# DBC04 SYSTEM



| TECHNICAL DATA          | IMPERIAL (inc) | METRIC (mm) |
|-------------------------|----------------|-------------|
| Joint Width             | 4"             | 102         |
| Movement ± (Horizontal) | 2"             | 51          |
| Movement ± (Vertical)   | 2"             | 51          |

|                  |              |
|------------------|--------------|
| Date: Feb., 2013 | Scale: NTS   |
| Rev:             | Drawn by: NP |

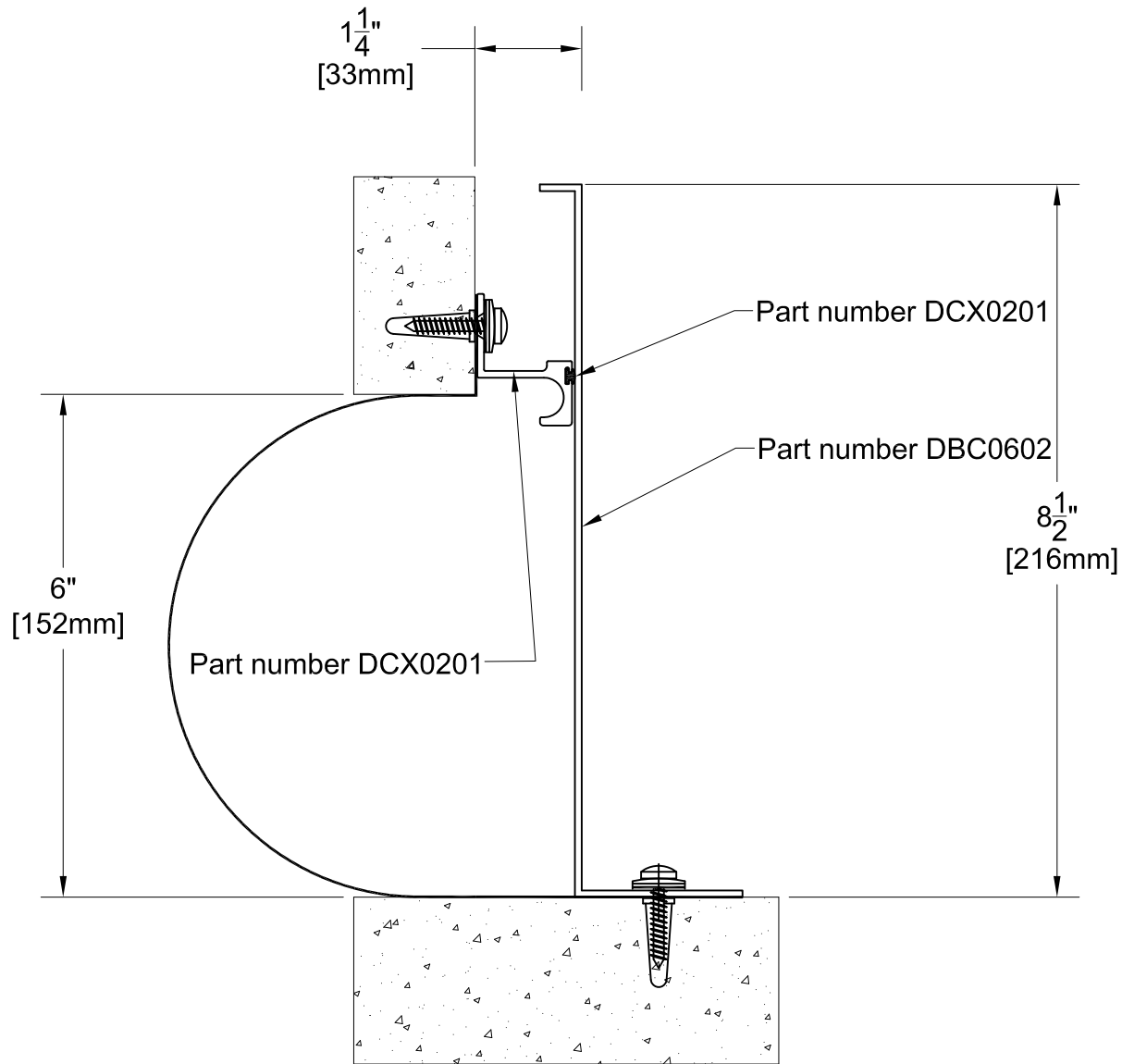
**APPLICATION:** Expansion Joint Cover for Wall Corner / Wall to Ceiling



**PROSPEC SPECIALTIES INC.**  
 3601 HIGHWAY 7, SUITE 400  
 MARKHAM ON L3R 0M3, CANADA.  
 TEL: (888) - 749 - 8456,  
 FAX: (888) - 749 - 8455  
 Email: [info@prospecspecialties.com](mailto:info@prospecspecialties.com)  
 Web: [prospecspecialties.com](http://prospecspecialties.com)

**Disclaimer:** As Prospec Specialties' Policy is one of continual technical progress for the improvement of the company's services to its customers, the company reserves the right to modify the Designs of its products without notice.

# DBC06 SYSTEM



| TECHNICAL DATA          | IMPERIAL (inc) | METRIC (mm) |
|-------------------------|----------------|-------------|
| Joint Width             | 6"             | 152         |
| Movement ± (Horizontal) | 3"             | 76          |
| Movement ± (Vertical)   | 3"             | 76          |

|                  |              |
|------------------|--------------|
| Date: Feb., 2013 | Scale: NTS   |
| Rev:             | Drawn by: NP |

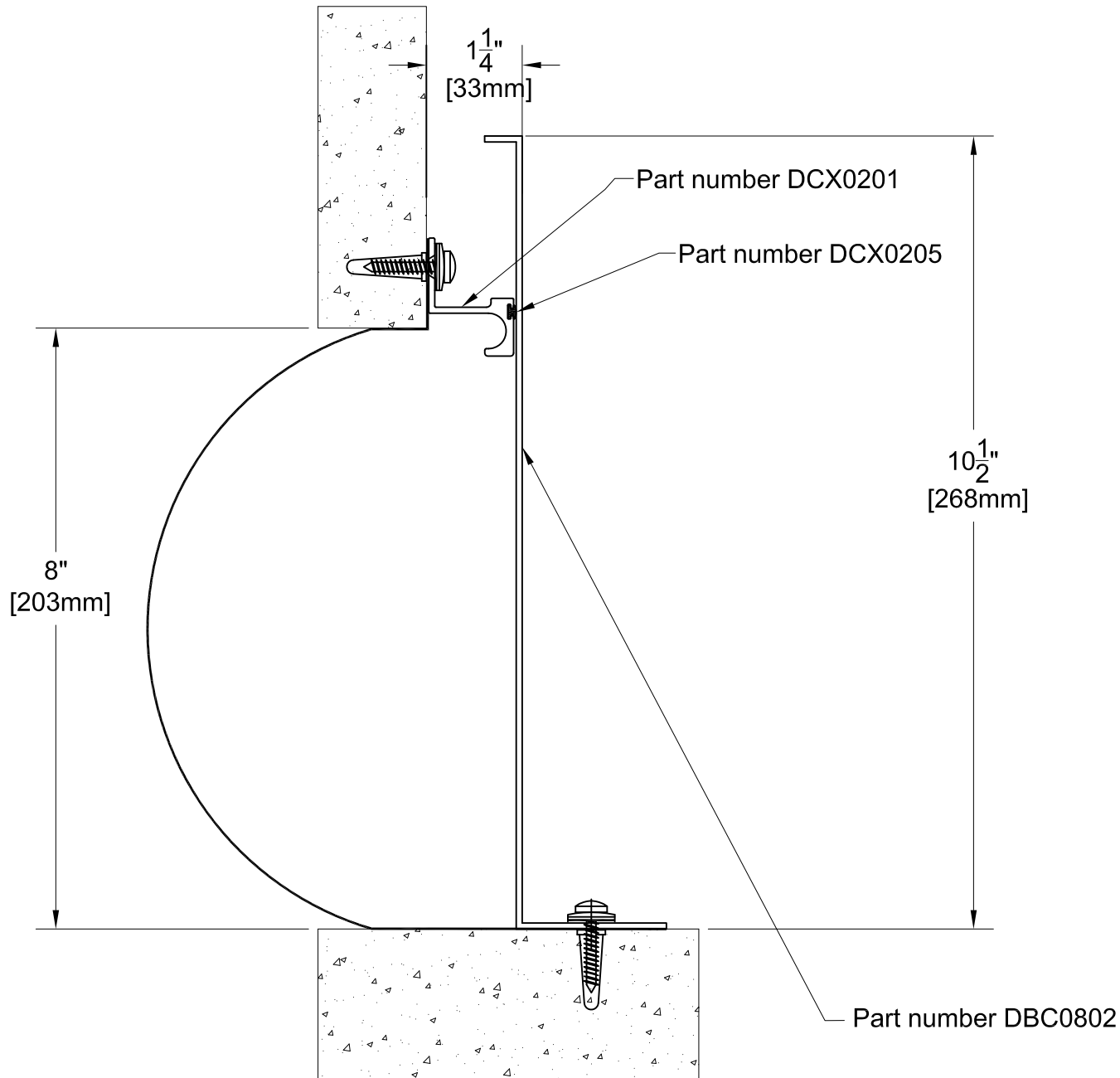
**APPLICATION:** Expansion Joint Cover for Wall Corner / Wall to Ceiling



**PROSPEC SPECIALTIES INC.**  
 3601 HIGHWAY 7, SUITE 400  
 MARKHAM ON L3R 0M3, CANADA.  
 TEL: (888) - 749 - 8456,  
 FAX: (888) - 749 - 8455  
 Email: [info@prospecspecialties.com](mailto:info@prospecspecialties.com)  
 Web: [prospecspecialties.com](http://prospecspecialties.com)

**Disclaimer:** As Prospec Specialties' Policy is one of continual technical progress for the improvement of the company's services to its customers, the company reserves the right to modify the Designs of its products without notice.

# DBC08 SYSTEM



| TECHNICAL DATA          | IMPERIAL (inc) | METRIC (mm) |
|-------------------------|----------------|-------------|
| Joint Width             | 8"             | 203         |
| Movement ± (Horizontal) | 4"             | 102         |
| Movement ± (Vertical)   | 4"             | 102         |

|                  |              |
|------------------|--------------|
| Date: Feb., 2013 | Scale: NTS   |
| Rev:             | Drawn by: NP |

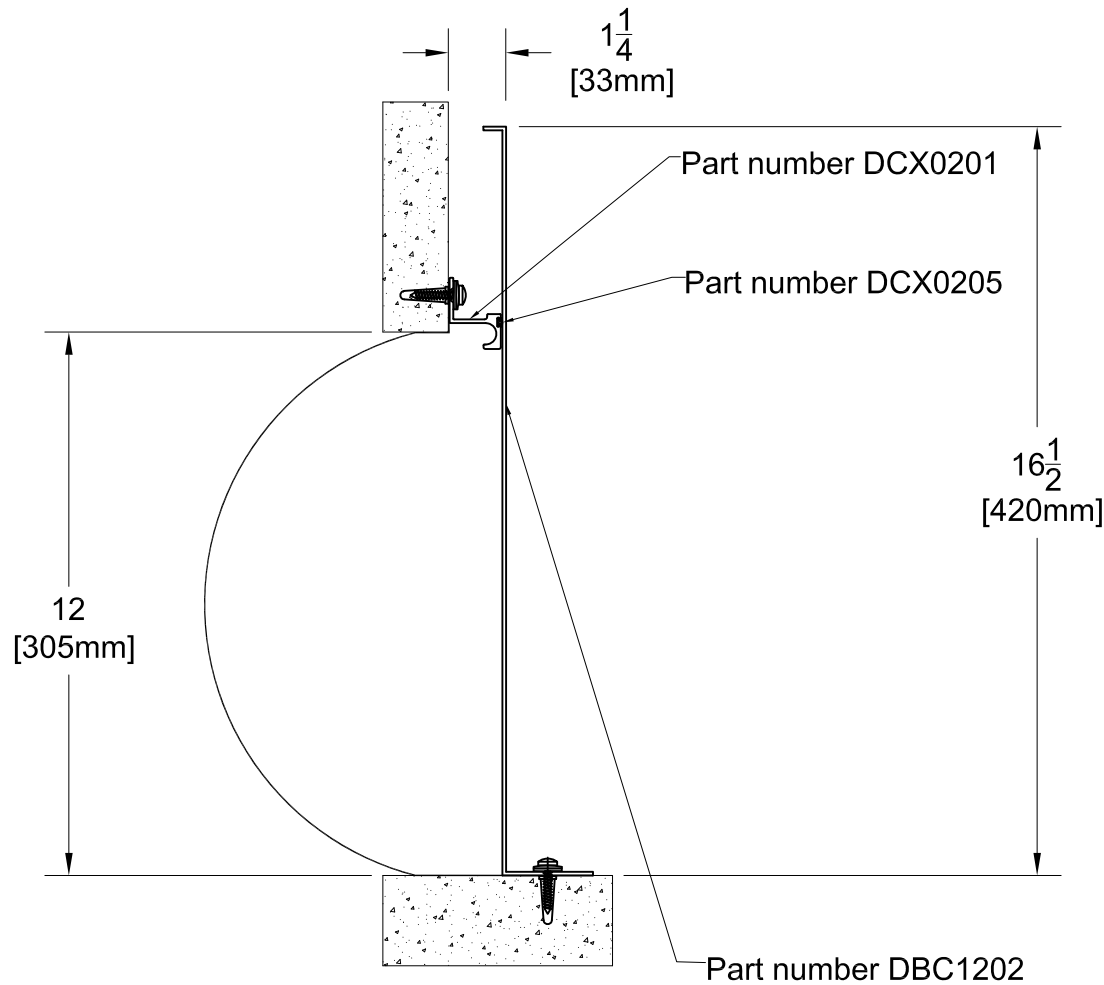
**APPLICATION:** Expansion Joint Cover for Wall Corner / Wall to Ceiling



**PROSPEC SPECIALTIES INC.**  
 3601 HIGHWAY 7, SUITE 400  
 MARKHAM ON L3R 0M3, CANADA.  
 TEL: (888) - 749 - 8456,  
 FAX: (888) - 749 - 8455  
 Email: [info@prospecspecialties.com](mailto:info@prospecspecialties.com)  
 Web: [prospecspecialties.com](http://prospecspecialties.com)

**Disclaimer:** As Prospec Specialties' Policy is one of continual technical progress for the improvement of the company's services to its customers, the company reserves the right to modify the Designs of its products without notice.

# DBC12 SYSTEM



| TECHNICAL DATA          | IMPERIAL (inc) | METRIC (mm) |
|-------------------------|----------------|-------------|
| Joint Width             | 12"            | 305         |
| Movement ± (Horizontal) | 6"             | 152         |
| Movement ± (Vertical)   | 6"             | 152         |

Date: Feb., 2013      Scale: NTS

Rev:      Drawn by: NP

**APPLICATION:** Expansion Joint Cover for Wall Corner / Wall to Ceiling



**PROSPEC SPECIALTIES INC.**  
 3601 HIGHWAY 7, SUITE 400  
 MARKHAM ON L3R 0M3, CANADA.  
 TEL: (888) - 749 - 8456,  
 FAX: (888) - 749 - 8455  
 Email: [info@prospecspecialties.com](mailto:info@prospecspecialties.com)  
 Web: [prospecspecialties.com](http://prospecspecialties.com)

**Disclaimer:** As Prospec Specialties' Policy is one of continual technical progress for the improvement of the company's services to its customers, the company reserves the right to modify the Designs of its products without notice.