

**Product and Company Identification**

Product Name: **DD Series**  
 Manufacturer's Name: **Prospec Specialties Inc.**  
 Suite 400, 3601, Highway 7,  
 Markham ON, L3R 0M3, Canada  
 Emergency #: (888) 749-8456  
 Date Prepared: October, 2018

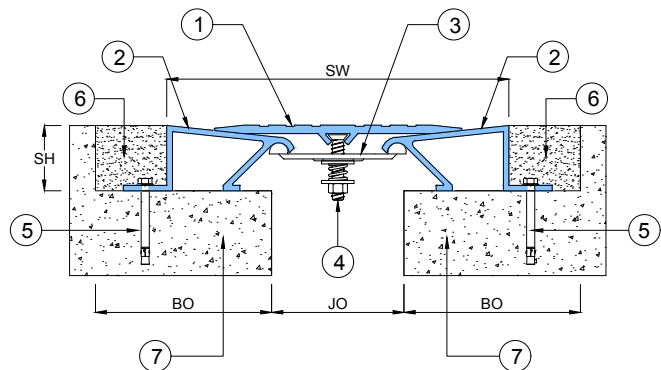
**Table 1: System Details**

Application	Code	JO	SH	SW	BO	WH	± Movement (%)			Load (Ton)
		Millimeter					Horizontal	Vertical	Shear	
Straight ( S )	DDS 01	25	38	117	83	*	50	25	Excellent	3
	DDS 02	51	38	140	83	*	50	25	Excellent	3
	DDS 03	76	38	197	102	*	50	25	Excellent	3
	DDS 04	102	38	222	102	*	50	25	Excellent	3
	DDS 06	152	38	342	133	*	50	25	Excellent	3
	DDS 08	203	38	457	165	*	50	25	Excellent	3
Corner ( C )	DDC 01	25	38	70	83	50	25	25	Excellent	3
	DDC 02	51	38	95	83	50	25	25	Excellent	3
	DDC 03	76	38	137	102	50	25	25	Excellent	3
	DDC 04	102	38	162	102	50	25	25	Excellent	3
	DDC 06	152	38	248	133	50	25	25	Excellent	3
	DDC 08	203	38	331	165	50	25	25	Excellent	3

**JO** = Joint Opening      **SH** = System Height      **SW** = Sight Width      **WH** = Wall Height

**Key to System Features (Straight Application)**

1. Continuous Aluminum Center Plate, Grade 6063-T6
2. Continuous Aluminum Recessed frame, Grade 6063-T6
3. Steel Centering Bar
4. Compression Spring Assembly
5. Hex Head Concrete Anchor
6. Back fill (by others)
7. Concrete Slab (by others)



**Key to System Features (Corner Application)**

1. Continuous Aluminum Half Plate, Grade 6063-T6
2. Continuous Aluminum Recessed Frame, Grade 6063-T6
3. Continuous Aluminum Flush Wall Frame, Grade 6063-T6
4. Hex Head Concrete Anchor
5. Flat Head Concrete Screw
6. Back fill (by others)
7. Concrete Slab (by others)
8. Concrete Wall (by others)

