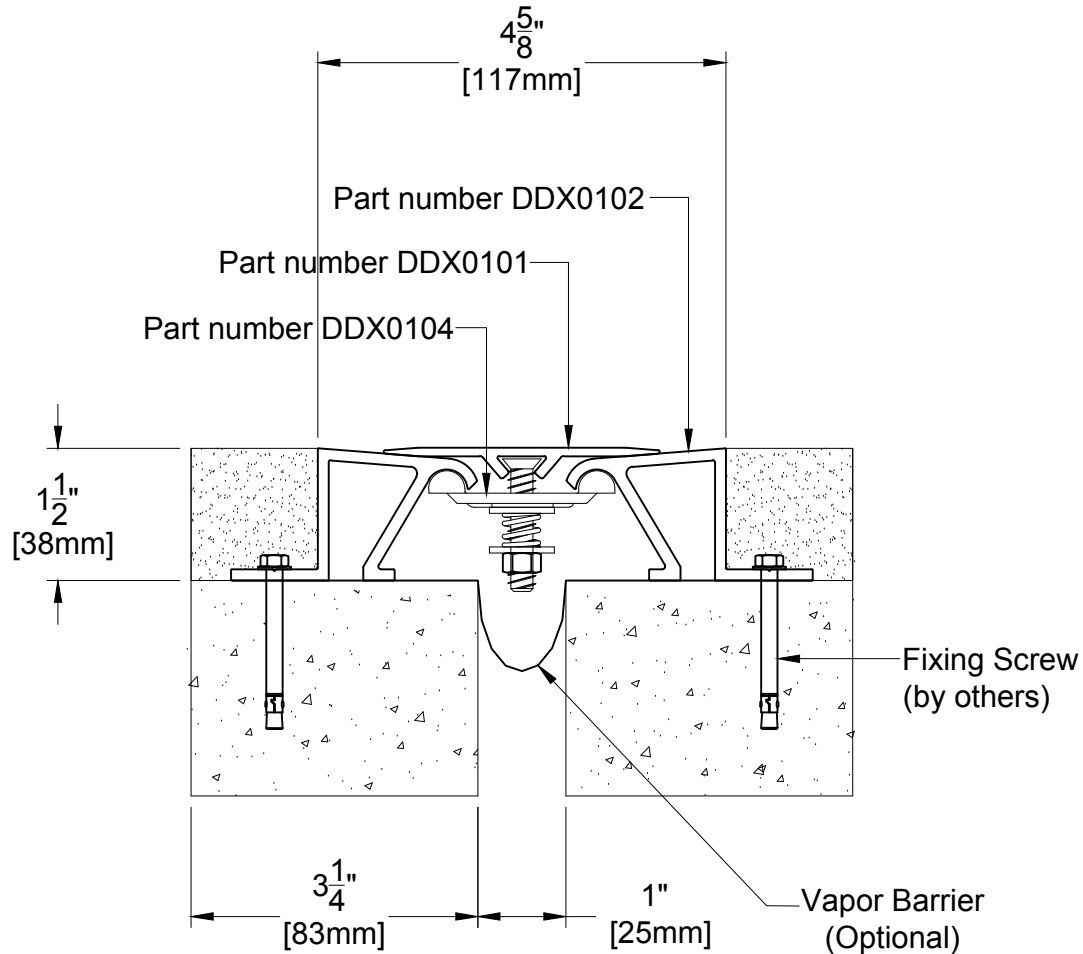


# DDS01 SYSTEM



TECHNICAL DATA	IMPERIAL (inc)	METRIC (mm)
Joint Width	1"	25
Movement ± (Horizontal)	1/2"	13
Movement ± (Vertical)	1/4"	6
Load	3 (Tons)	

Date: Jan., 2012      Scale: NTS

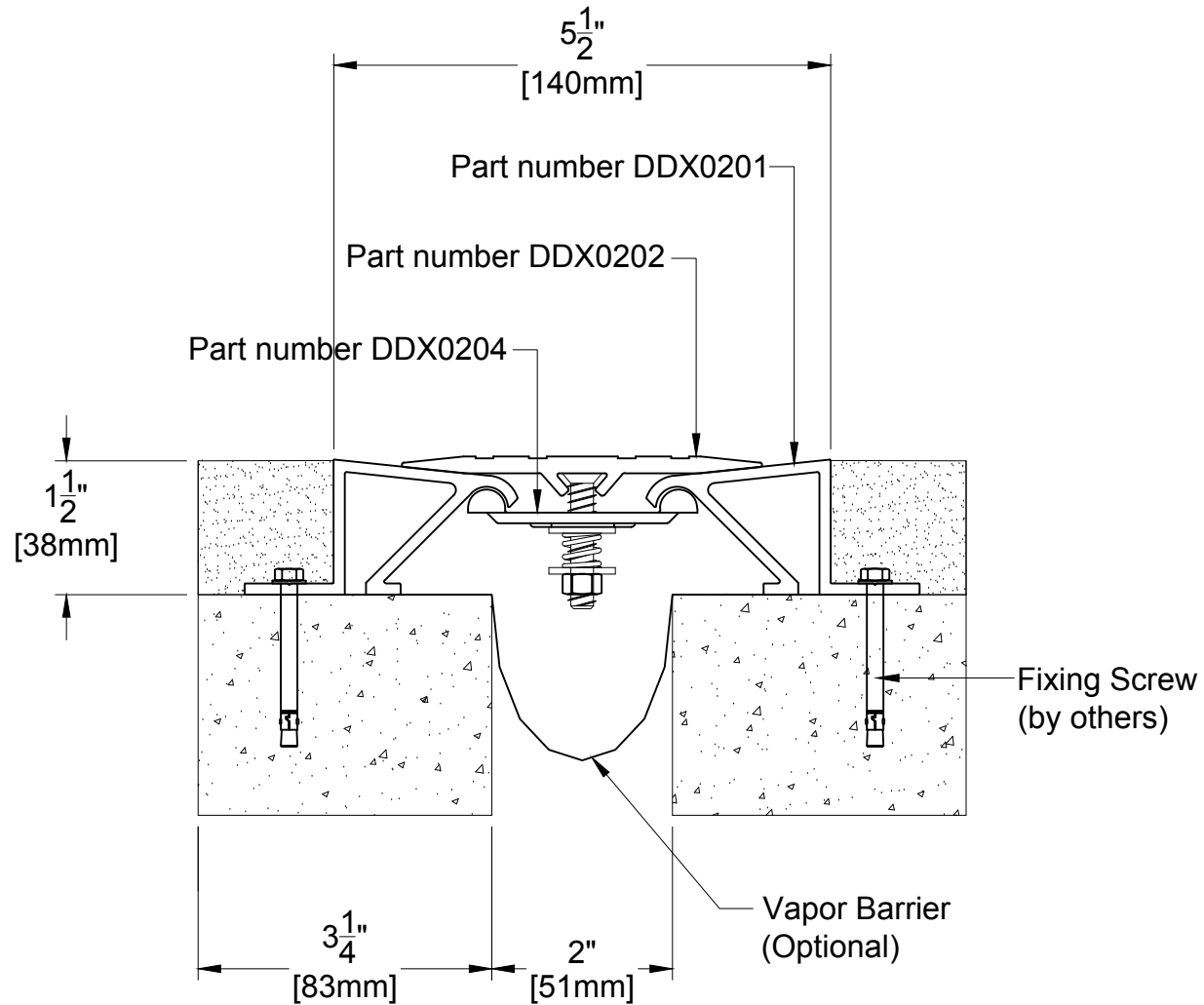
Rev:      Drawn by :

**APPLICATION:** EXPANSION JOINT COVER FOR FLOOR TO FLOOR



**PROSPEC SPECIALTIES INC.**  
 3601 HIGHWAY 7, SUITE 400  
 MARKHAM ON L3R 0M3, CANADA.  
 TEL: (888) - 749 - 8456,  
 FAX: (888) - 749 - 8455  
 Email: info@prospecspecialties.com  
 Web: prospectspecialties.com

# DDS02 SYSTEM



TECHNICAL DATA	IMPERIAL (inc)	METRIC (mm)
Joint Width	2"	51
Movement ± (Horizontal)	1"	25
Movement ± (Vertical)	1/2"	13
Load	3 (Tons)	

Date: Jan., 2012      Scale: NTS

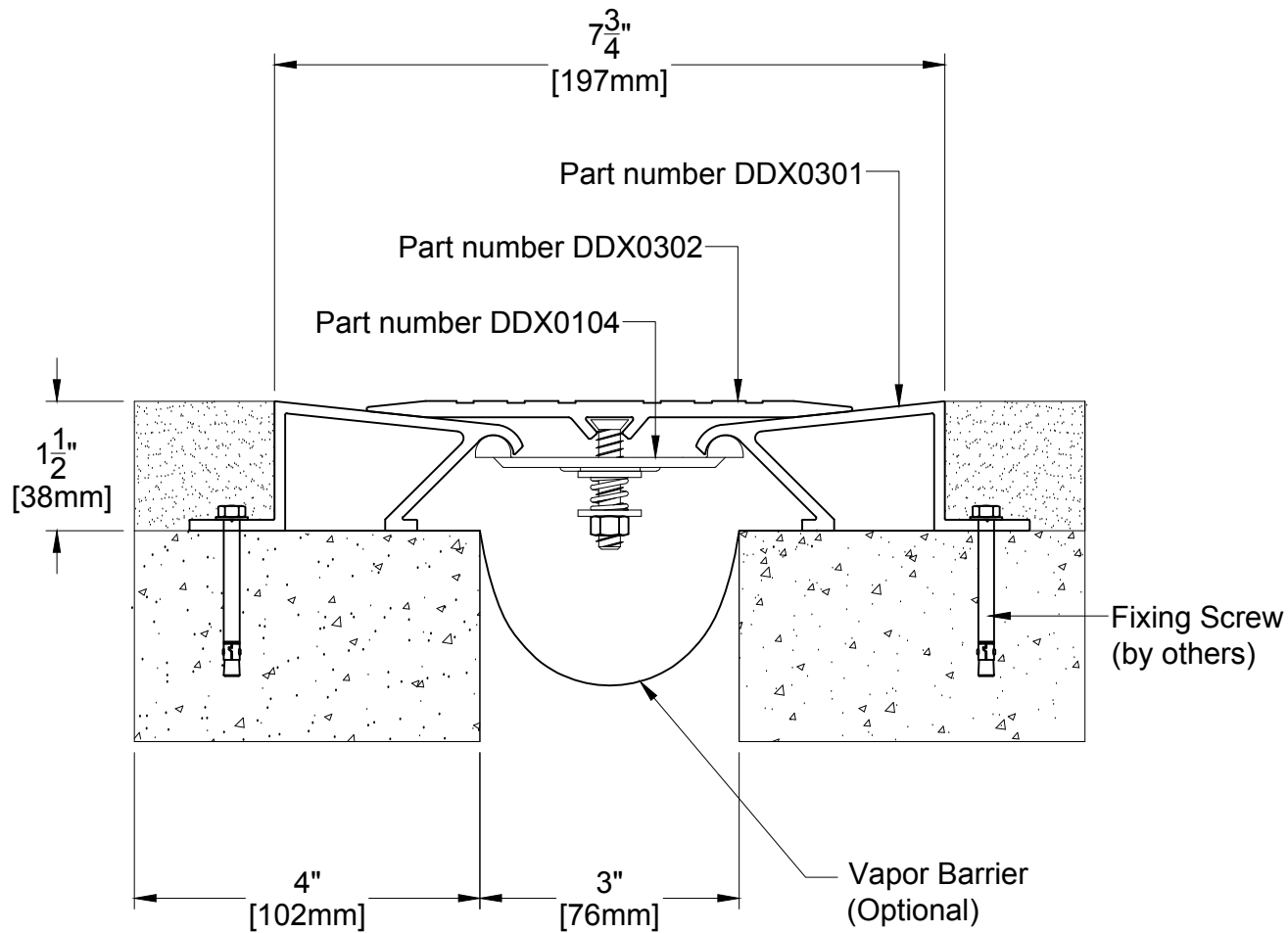
Rev:      Drawn by :

**APPLICATION:** EXPANSION JOINT COVER  
FOR FLOOR TO FLOOR



**PROSPEC SPECIALTIES INC.**  
3601 HIGHWAY 7, SUITE 400  
MARKHAM ON L3R 0M3, CANADA.  
TEL: (888) - 749 - 8456,  
FAX: (888) - 749 - 8455  
Email: [info@prospecspecialties.com](mailto:info@prospecspecialties.com)  
Web: [prospecspecialties.com](http://prospecspecialties.com)

# DDS03 SYSTEM



TECHNICAL DATA	IMPERIAL (inc)	METRIC (mm)
Joint Width	3"	76
Movement ± (Horizontal)	1-1/2"	38
Movement ± (Vertical)	3/4"	19
Load	3 (Tons)	

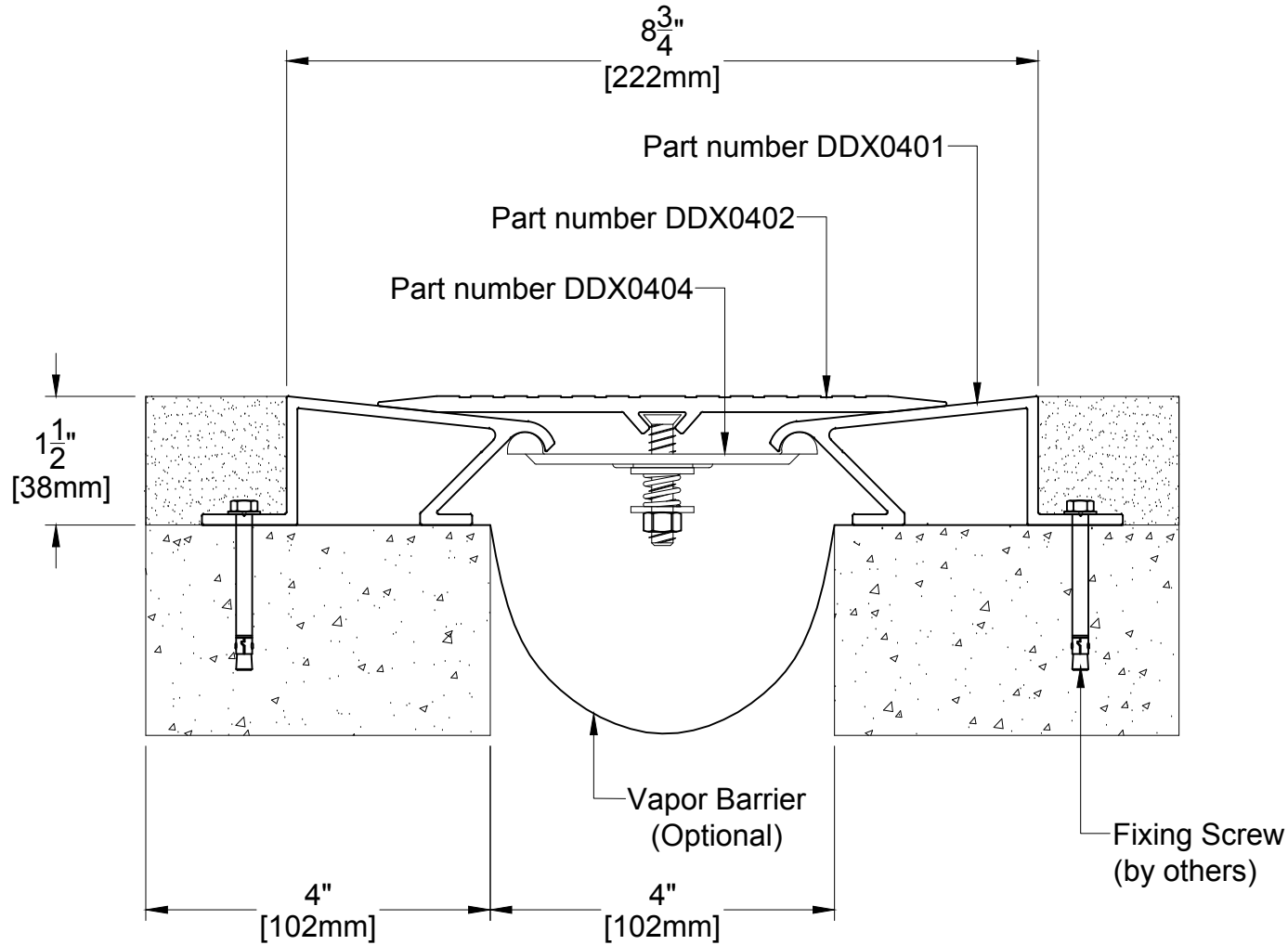
Date: Jan., 2012      Scale: NTS  
 Rev:      Drawn by :

**APPLICATION:** EXPANSION JOINT COVER FOR FLOOR TO FLOOR



**PROSPEC SPECIALTIES INC.**  
 3601 HIGHWAY 7, SUITE 400  
 MARKHAM ON L3R 0M3, CANADA.  
 TEL: (888) - 749 - 8456,  
 FAX: (888) - 749 - 8455  
 Email: info@prospecspecialties.com  
 Web: prospectspecialties.com

# DDS04 SYSTEM



TECHNICAL DATA	IMPERIAL (inc)	METRIC (mm)
Joint Width	4"	102
Movement ± (Horizontal)	2"	51
Movement ± (Vertical)	1"	25
Load	3 (Tons)	

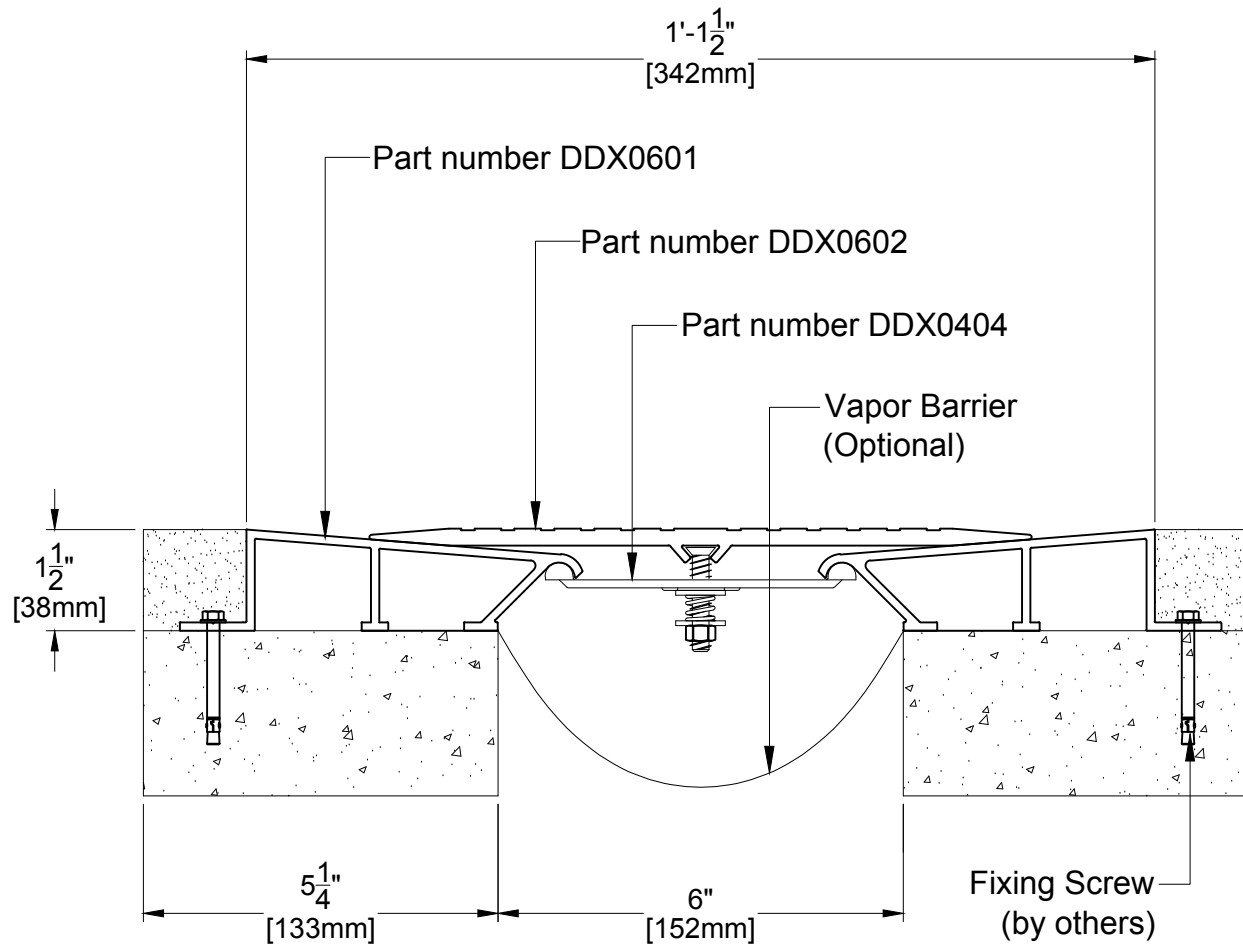
Date: Jan., 2012	Scale: NTS
Rev:	Drawn by :

**APPLICATION:** EXPANSION JOINT COVER FOR FLOOR TO FLOOR



**PROSPEC SPECIALTIES INC.**  
 3601 HIGHWAY 7, SUITE 400  
 MARKHAM ON L3R 0M3, CANADA.  
 TEL: (888) - 749 - 8456,  
 FAX: (888) - 749 - 8455  
 Email: info@prospecspecialties.com  
 Web: prospectspecialties.com

# DDS06 SYSTEM



TECHNICAL DATA	IMPERIAL (inc)	METRIC (mm)
Joint Width	6"	152
Movement ± (Horizontal)	3"	76
Movement ± (Vertical)	1-1/2"	38
Load	3 (Tons)	

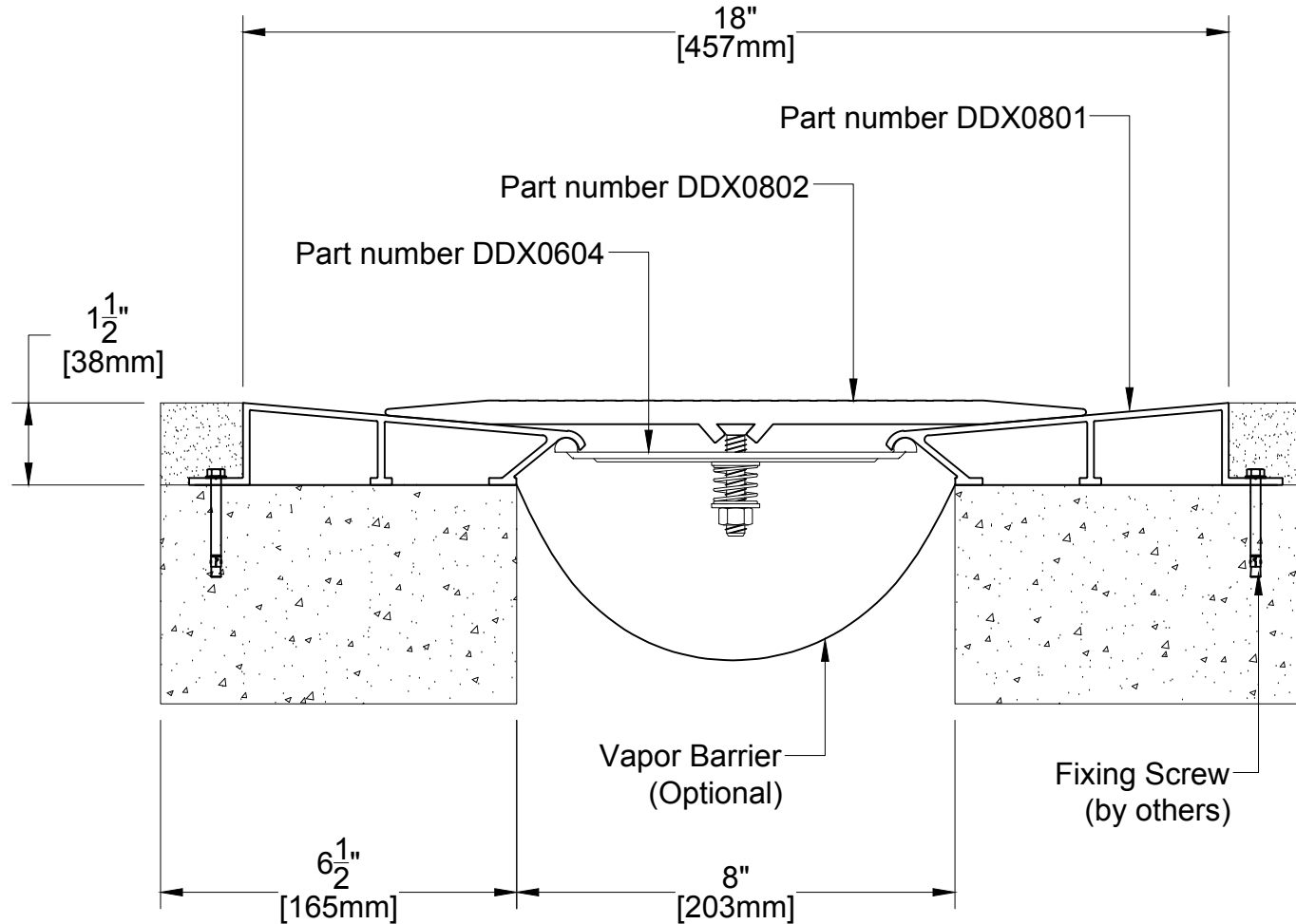
Date: Jan., 2012	Scale: NTS
Rev:	Drawn by :

**APPLICATION:** EXPANSION JOINT COVER FOR FLOOR TO FLOOR



**PROSPEC SPECIALTIES INC.**  
 3601 HIGHWAY 7, SUITE 400  
 MARKHAM ON L3R 0M3, CANADA.  
 TEL: (888) - 749 - 8456,  
 FAX: (888) - 749 - 8455  
 Email: [info@prospecspecialties.com](mailto:info@prospecspecialties.com)  
 Web: [prospecspecialties.com](http://prospecspecialties.com)

# DDS08 SYSTEM



TECHNICAL DATA	IMPERIAL (inc)	METRIC (mm)
Joint Width	8"	203
Movement ± (Horizontal)	4"	100
Movement ± (Vertical)	2"	50
Load	3 (Tons)	
Date: Jan., 2012	Scale: NTS	
Rev:	Drawn by :	

**APPLICATION:** EXPANSION JOINT COVER FOR FLOOR TO FLOOR



**PROSPEC SPECIALTIES INC.**  
 3601 HIGHWAY 7, SUITE 400  
 MARKHAM ON L3R 0M3, CANADA.  
 TEL: (888) - 749 - 8456,  
 FAX: (888) - 749 - 8455  
 Email: info@prospecspecialties.com  
 Web: prospectspecialties.com