

## HK Series

Note: Verify that the structural gap is in conformance with submittal data before beginning installation. If this is a Fire Rated Assembly, install the fire barrier before the Architectural Joint System. Refer to the fire barrier instructions for specific system installation.

Fig. 1 (Straight application)

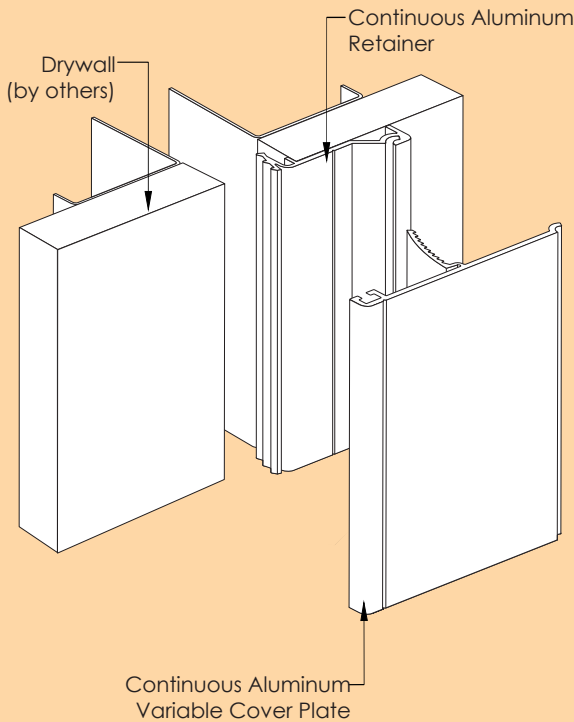
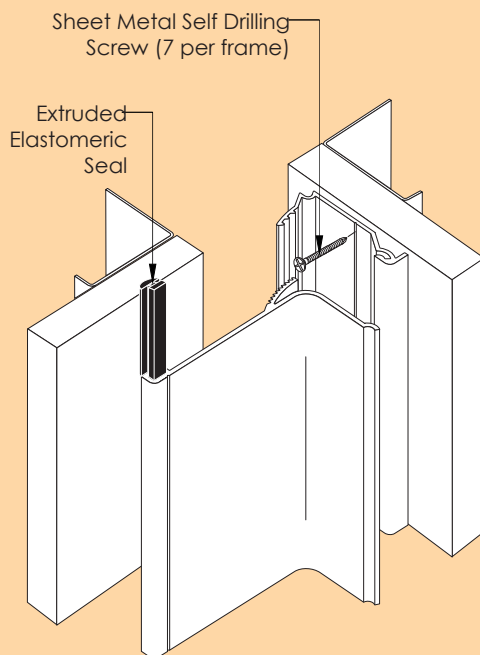


Fig. 2 (Corner Application)



1. Install the expansion joint system on a level surface. This may require adding leveling compound on top of the substrate to provide a smooth mounting surface.

Figure 1

2. Cut the aluminum components to the required length.

3. Wall to wall condition, place the aluminum retainer on one side of the structural gap substrate as a template, ensure the angled leg of the retainer is flush against the joint surface and mark holes on the substrate.

Remove the retainer and drill the marked holes.

Figure 2

4. Wall corner condition, to level properly, cut and assemble a max. of 6" section of the system with elastomeric seal.

Position the 6" assembly section over the joint opening so the corner plate is level with both wall faces. Mark the substrate at the outside edge of the retainer. Repeat the process and connect all markings as reference line.

Position the aluminum corner retainer within the reference line and mark holes on the substrate.

Remove the retainer and drill the marked holes.

5. Place the aluminum retainer to the structural gap opening over the drilled hole locations on the substrate, align and level. Secure with the sheet metal self drilling screws at approximately 18" on center starting 6" from each end.



Fig. 3

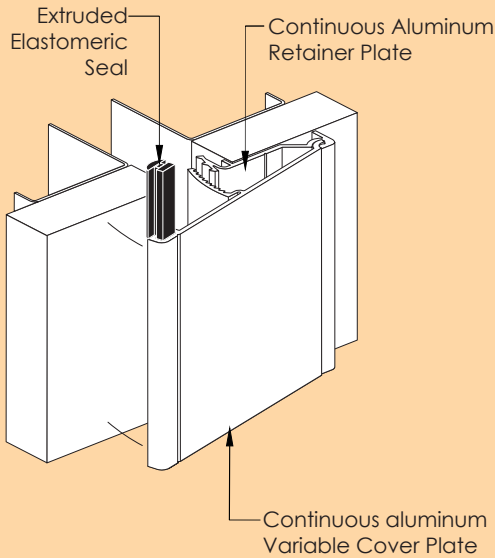
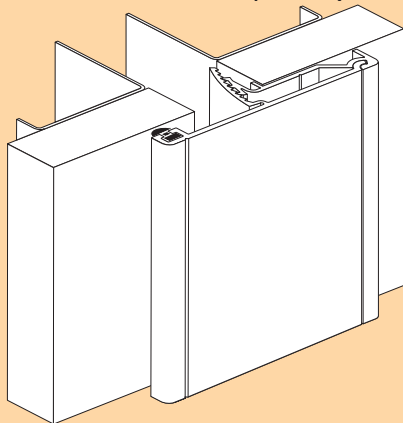


Fig. 4

(Straight Installation Completed)



(Corner Installation Completed)

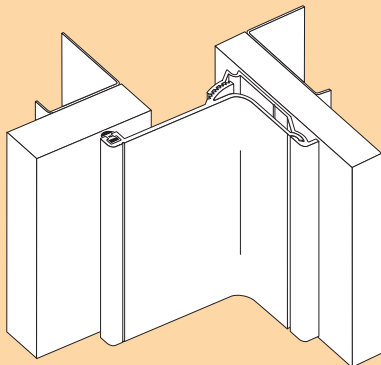


Figure 3

6. Cut the elastomeric seal to the same length as the cover plate. Insert and slide into the channel located on the backside edge of the cover plate.

7. Position the cover plate into the corresponding slot of the retainer. Firmly press center of the cover plate to rotate towards against the wall/ceiling surface for proper tight fit into the retainer with applying uniform pressure until the elastomeric seal is seated to the wall/ceiling surface and the cover plate is properly level.

Figure 4

8. Clean the exposed surface with a non-solvent cleaner as required.

