

Product and Company Identification

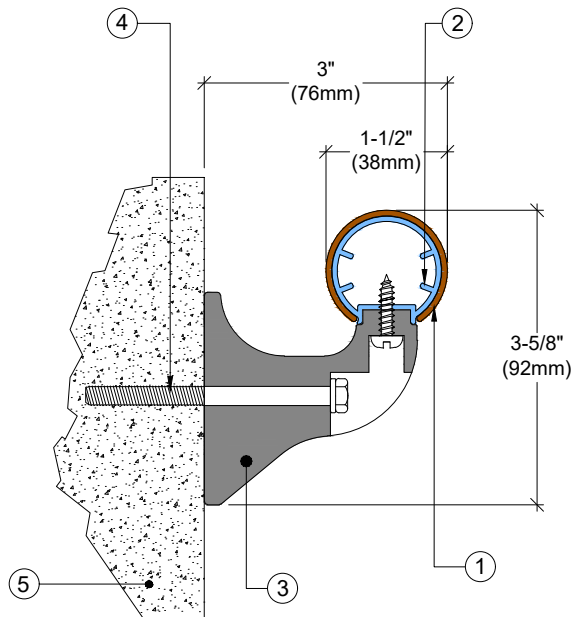
Product Name: HR-**2E** (Hand Rail)
Manufacturer's Name: Prospec Specialties Inc.
Suite 400, 3601, Highway 7,
Markham ON, L3R 0M3, Canada
Emergency #: (888) 749-8456

System Details:

1. Vinyl Cover - 0.08" (2.0mm) thick
2. Continuous Aluminum Retainer - 0.061" (1.6mm) thick, Grade 6063-T6, Mill Finish
3. Mounting Bracket
4. Hex Head Screw with Phillips Head Slot
5. Concrete Wall (by others)

Standard Lengths:

- 10' (3 LM)
- 12' (4 LM)



Product Description:

- Cost-effective handrail for areas that require support for residents, patients and visitors.
- Solves safety concerns in Commercial, Residential, Health Care & Hospitality environments.
- Protects walls against abrasion and damage
- ADA and ANSI compliant.
- Easy for installation, Clean Up and Maintenance.
- Stylishly designed handrail available in wide range of standard colors.
- Complete with left, right, inside and outside corners.